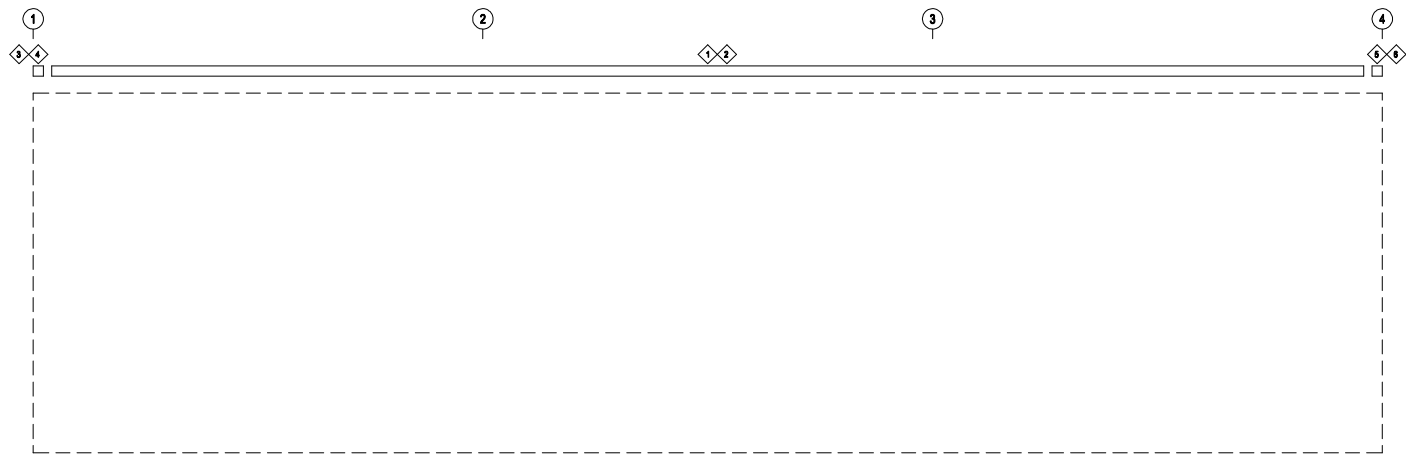


FRONT SIDEWALL FRAMING: FRAME LINE A



FRONT SIDEWALL SHEETING & TRIM: FRAME LINE A

TRIM TABLE				
FRAME LINE A				
ID	QUAN	PART	LENGTH	DETAIL
1	3	Q7726	20'-4"	TRIM_81
2	3	Q8306	20'-4"	TRIM_87
3	1	Q773L6	6"	
4	1	AR961L6	7'7/16"	TRIM_60
5	1	Q773R6	6"	
6	1	AR961R6	7'7/16"	TRIM_60

MEMBER TABLE				
FRAME LINE A				
QUAN	MARK	PART	LENGTH	
1	E-1	10538DU4	19'-11"	
1	E-2	10538DU4	19'-11"	
1	E-3	10538DU4	19'-11"	
3	G-9	8X25Z16	20'-11 1/2"	
3	G-10	8X25Z16	22'-0"	
3	G-11	8X25Z16	20'-11 1/2"	
2	CB-3	GS1716	24'-10 3/4"	

NOTE:  
ALL DIMENSIONS, QUANTITIES, LOCATIONS, SIZES, AND SPECIFICATIONS ARE SUBJECT TO BE CHANGED UPON FINAL DESIGN AND RELEASE OF PERMIT DRAWINGS.

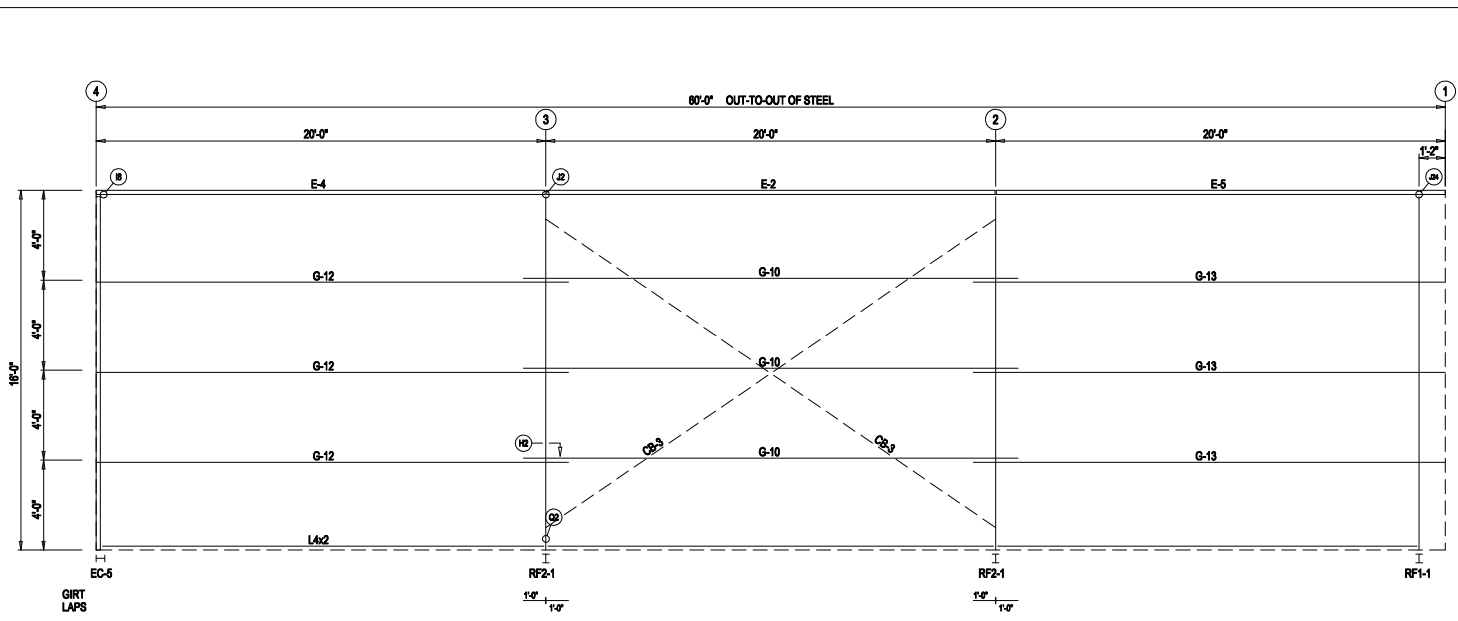
ISSUE	DESCRIPTION	DATE	DRN.	CHK.	DES.
P	PERMIT	9/28	TBD	MBS	TBD



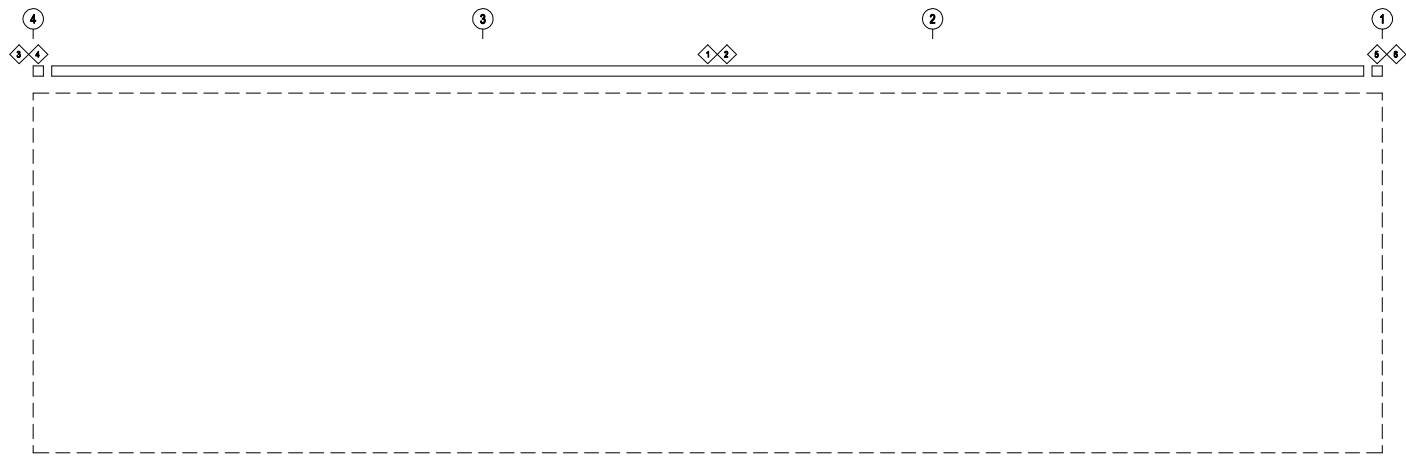
2 Inverness Drive East, Ste#200  
Englewood, Colorado 80112  
PHONE: 800-345-6110  
www.armstrongsteel.com

DESCRIPTION	SIDEWALL FRAMING & SHEETING
CUSTOMER	DEALER
END USER	PROJECT
SCALE	NOT TO SCALE
DATE	DATE
TBD	9/24

Belain Jonathan and Pamela Jensen(C)



BACK SIDEWALL FRAMING: FRAME LINE F



BACK SIDEWALL SHEETING & TRIM: FRAME LINE F

TRIM TABLE				
FRAME LINE F				
ID	QUAN	PART	LENGTH	DETAIL
1	3	Q7726	20'-4"	TRIM_81
2	3	Q8306	20'-4"	TRIM_87
3	1	Q773L6	6"	
4	1	AR961L6	7'7/16"	TRIM_60
5	1	Q773R6	6"	
6	1	AR961R6	7'7/16"	TRIM_60

MEMBER TABLE				
FRAME LINE F				
QUAN	MARK	PART	LENGTH	
1	E-2	10538DU4	19'-11"	
1	E-4	10538DU4	19'-11"	
1	E-5	10538DU4	19'-11"	
3	G-10	8X25Z16	22'-0"	
3	G-12	8X25Z16	20'-11 1/2"	
3	G-13	8X25Z16	20'-11 1/2"	
2	CB-3	GS1716	24'-10 3/4"	

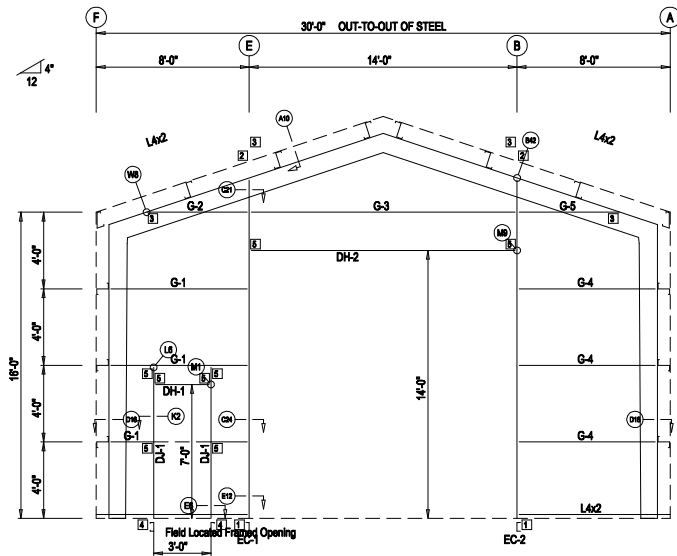
NOTE:  
ALL DIMENSIONS, QUANTITIES, LOCATIONS, SIZES, AND SPECIFICATIONS ARE SUBJECT TO BE CHANGED UPON FINAL DESIGN AND RELEASE OF PERMIT DRAWINGS.

ISSUE	DESCRIPTION	DATE	DRN.	CHK.	DES.
P	PERMIT	9/28	TBD	MBS	TBD

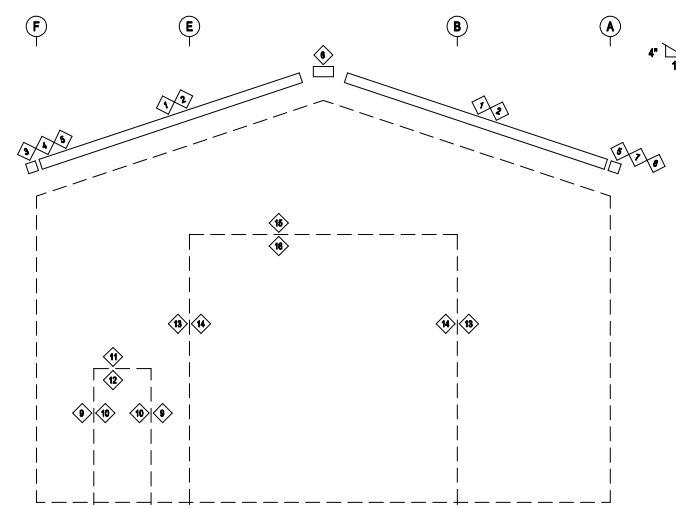


DESCRIPTION	SIDEWALL FRAMING & SHEETING
CUSTOMER	DEALER
END USER	PROJECT
SCALE	NOT TO SCALE
DRAWN BY	TBD
CHECKED BY	TBD
DATE	9/24

Belain Jonathan and Pamela Jensen(C)



LEFT ENDWALL FRAMING: FRAME LINE 1



LEFT ENDWALL SHEETING & TRIM: FRAME LINE 1

TRIM TABLE				
FRAME LINE 1				
ID	QUAN	PART	LENGTH	DETAIL
1	2	Q7846	18'-2"	
2	2	Q7806	18'-2"	TRIM_70
3	1	Q785L6	6"	
4	1	AR963R6	9 1/8"	
5	2	AR962B	8 1/16"	
6	1	Q7878	14'-4"	TRIM_100
7	1	Q785R6	6"	
8	1	AR963L6	9 1/8"	
9	2	Q3706	7'-4"	TRIM_50
10	2	JA6	7'-2"	TRIM_50
11	1	AR3806	3'-7"	TRIM_51
12	1	HE6	3'-6"	TRIM_51
13	2	Q3706	18'-2"	TRIM_50
14	2	JA6	14'-2"	TRIM_50
15	1	Q3706	14'-2"	TRIM_51
16	1	HE6	14'-3"	TRIM_51

BOLT TABLE				
FRAME LINE 1				
LOCATION	QUAN	TYPE	DIA	LENGTH
Columns/Raf	6	A325	1/2"	1 1/4"

MEMBER TABLE				
FRAME LINE 1				
QUAN	MARK	PART	LENGTH	
1	EC-1	C8x11.5	17'-5 1/4"	
1	EC-2	C8x11.5	17'-5 1/4"	
2	DJ-1	8X25C16	7'-8"	
1	DH-1	8X25C16	2'-11"	
1	DH-2	8X25C16	13'-11"	
3	G-1	8X25C16	7'-7 1/2"	
1	G-2	8X25C16	5'-0 3/8"	
1	G-3	8X25C16	13'-11"	
3	G-4	8X25C16	7'-7 1/2"	
1	G-5	8X25C16	5'-0 3/8"	

CONNECTION PLATES				
FRAME LINE 1				
ID	QUAN	MARK	PART	
1	2		BC-04	
2	2		BC-40C	
3	4		BC-10	
4	2		BC-05	
5	8		BC-01	

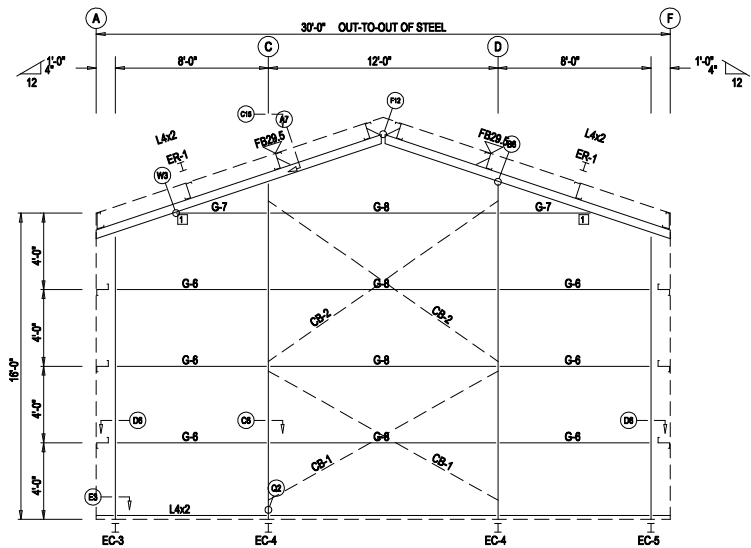
NOTE:  
ALL DIMENSIONS, QUANTITIES, LOCATIONS, SIZES, AND SPECIFICATIONS ARE SUBJECT TO BE CHANGED UPON FINAL DESIGN AND RELEASE OF PERMIT DRAWINGS.

ISSUE	DESCRIPTION	DATE	DRN.	CHK.	DES.
P	PERMIT	9/20	TBD	MBS	TBD

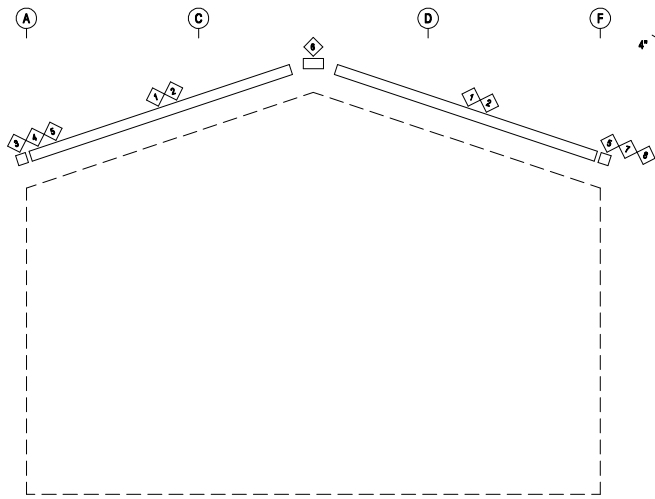


DESCRIPTION	ENDWALL FRAMING & SHEETING
CUSTOMER	DEALER
END USER	PROJECT
SCALE	NOT TO SCALE

DATE: 9/24  
BY: [Signature]  
Belain Jonathan and Pamela Jensen(C)



RIGHT ENDWALL FRAMING: FRAME LINE 4



RIGHT ENDWALL SHEETING & TRIM: FRAME LINE 4

TRIM TABLE				
FRAME LINE 4				
ID	QUAN	PART	LENGTH	DETAIL
1	2	Q7846	18'-2"	
2	2	Q7806	18'-2"	TRIM_70
3	1	Q785L6	6"	
4	1	AR963R6	9 1/8"	
5	2	AR962B	8 1/16"	
6	1	Q7878	1'-4"	TRIM_100
7	1	Q785R6	6"	
8	1	AR963L6	9 1/8"	

BOLT TABLE				
FRAME LINE 4				
LOCATION	QUAN	TYPE	DIA	LENGTH
ER-1/ER-1	8	A325	5/8"	1 1/2"
Columns/Pref	4	A325	1/2"	1 1/4"

MEMBER TABLE			
FRAME LINE 4			
QUAN	MARK	PART	LENGTH
1	EC-3	W8X10	14'-7"
2	EC-4	W8X10	17'-3"
1	EC-5	W8X10	14'-7"
2	ER-1	W08531	15'-9 3/16"
6	G-6	8X25216	7'-4"
2	G-7	8X25216	3'-7 1/16"
4	G-8	8X25216	11'-4"
2	CB-1	GS1716	14'-1 1/2"
2	CB-2	GS1716	14'-9 1/2"

FLANGE BRACE TABLE			
FRAME LINE 4			
ID	QUAN	MARK	LENGTH
1	2	FB29.5	2'-5 1/2"

CONNECTION PLATES			
FRAME LINE 4			
ID	QUAN	MARK/PART	
1	2	BC-15E	

NOTE:  
ALL DIMENSIONS, QUANTITIES, LOCATIONS, SIZES, AND SPECIFICATIONS ARE SUBJECT TO BE CHANGED UPON FINAL DESIGN AND RELEASE OF PERMIT DRAWINGS.

ISSUE	DESCRIPTION	DATE	DRN.	CHK.	DES.
P	PERMIT	9/20	TBD	MBS	TBD



2 Inverness Drive East, Ste#200  
Englewood, Colorado 80112  
PHONE: 800-345-6110  
www.armstrongsteel.com

DESCRIPTION: ENDWALL FRAMING & SHEETING

CUSTOMER: DEALER

END USER: PROJECT

SCALE: NOT TO SCALE

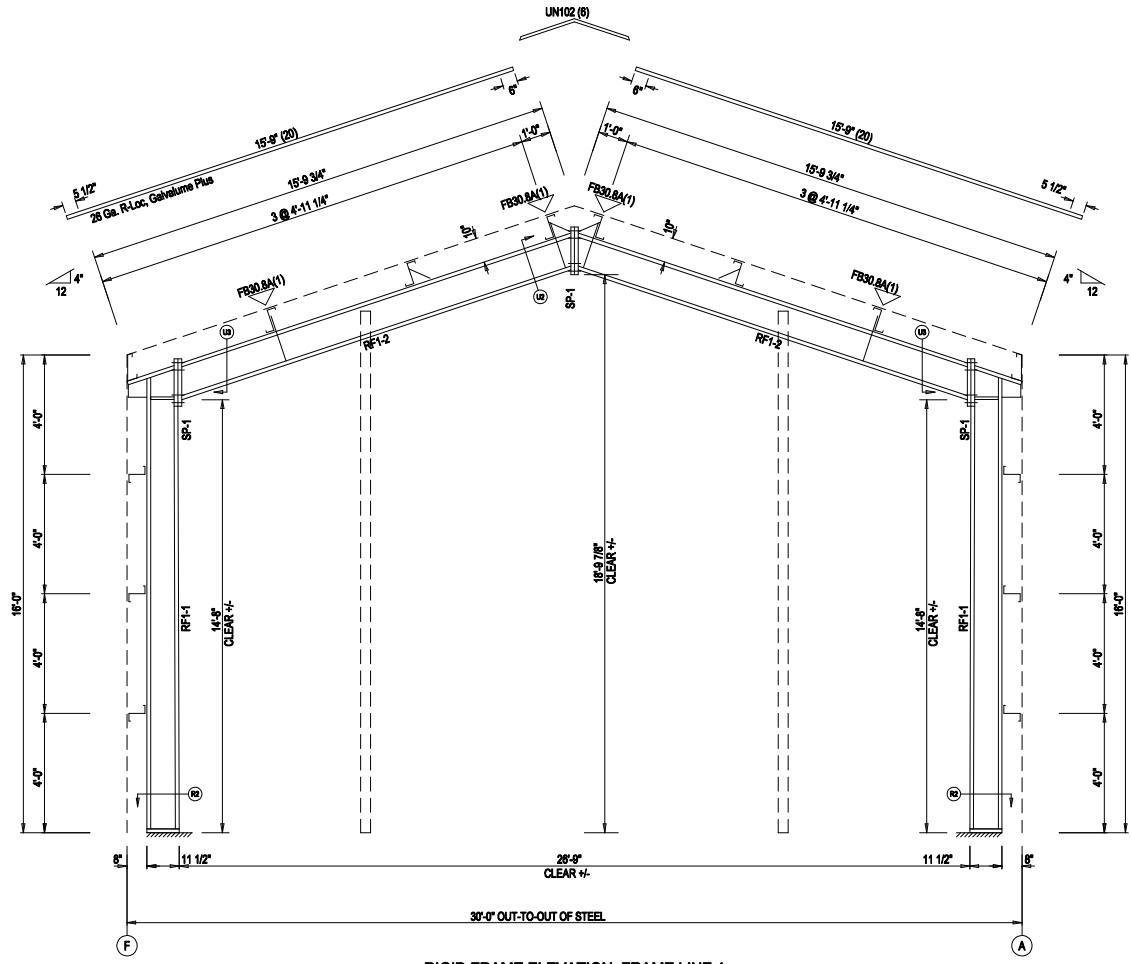
DATE: 9/24

Belain Jonathan and Pamela Jensen(C)

SPLICE BOLT TABLE						
Mark	Qty Top	Qty Bot	Int	Type	Dia	Length
SP-1	4	4	0	A325	0.825	1.75

MEMBER TABLE						
Mark	Web Depth		Web Plate		Outside Flange W x Thk x Length	Inside Flange W x Thk x Length
	Start/End	Thick	Thick	Length		
RF1-1	10.0/11.0	0.135	0.135	15'-7 1/8"	5 x 1/4" x 15'-3 3/8" 5 x 1/4" x 1'-8 3/16"	5 x 1/4" x 14'-3 15/16"
RF1-2	11.0/11.0	0.135	0.135	14'-3 15/16"	5 x 1/4" x 14'-0 3/16"	5 x 1/4" x 14'-0 3/16"

▽ FLANGE BRACES: FBxx (1 or 2)  
 xx=length(in)  
 (1) One Side; (2) Two Sides  
 A - B316



NOTE:  
 ALL DIMENSIONS, QUANTITIES, LOCATIONS,  
 SIZES, AND SPECIFICATIONS ARE SUBJECT TO BE  
 CHANGED UPON FINAL DESIGN AND RELEASE OF  
 PERMIT DRAWINGS.

ISSUE	DESCRIPTION	DATE	DRN.	CHK.	DES.
P	PERMIT	9/20	TBD	MBS	TBD



2 Inverness Drive East, Ste#200  
 Englewood, Colorado 80112  
 PHONE: 800-345-4610  
 www.armstrongsteel.com

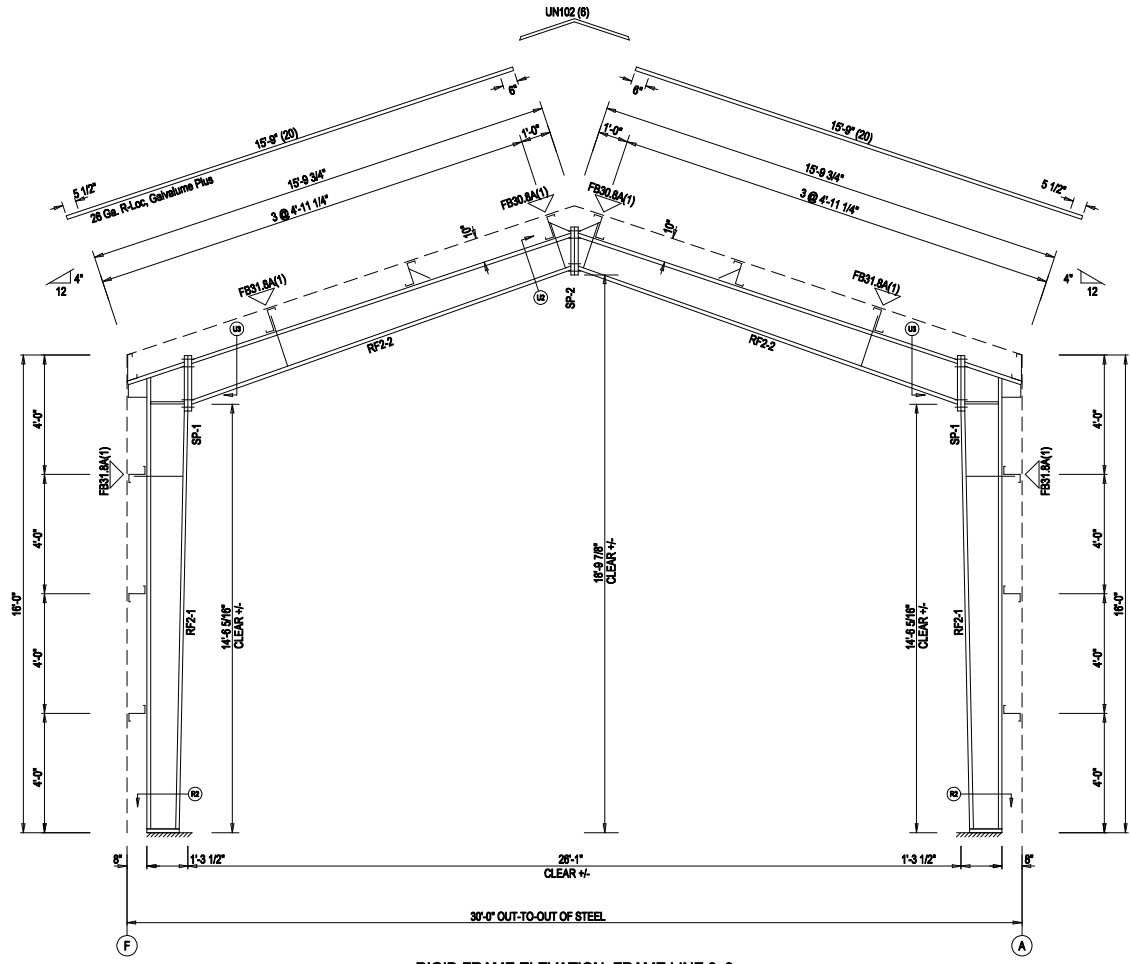
DESCRIPTION	RIGID FRAME ELEVATION
CUSTOMER	DEALER
END USER	PROJECT
SCALE	NOT TO SCALE
DWG NO:	TBD
DATE:	9/24

Belain Jonathan and Pamela Jensen(C)

SPlice BOLT TABLE						
Mark	Qty Top	Qty Bot	Int	Type	Dia	Length
SP-1	4	4	0	A325	0.625	2.00
SP-2	4	4	0	A325	0.625	1.75

MEMBER TABLE						
Mark	Web Depth		Web Plate		Outside Flange W x Thk x Length	Inside Flange W x Thk x Length
	Start	End	Thick	Length		
RF2-1	10.0	15.0	0.135	15'-8 7/16"	5 x 1/4" x 15'-3 3/8"	5 x 1/4" x 14'-2 3/16"
RF2-2	14.0	11.0	0.135	14'-0 7/16"	5 x 1/4" x 2'-0 7/16" 5 x 1/4" x 13'-7 11/16"	5 x 1/4" x 13'-8 3/4"

▽ FLANGE BRACES: FBxx (1 or 2)  
 xx=length(n)  
 (1) One Side; (2) Two Sides  
 A - B316



RIGID FRAME ELEVATION: FRAME LINE 2 3

NOTE:  
 ALL DIMENSIONS, QUANTITIES, LOCATIONS,  
 SIZES, AND SPECIFICATIONS ARE SUBJECT TO BE  
 CHANGED UPON FINAL DESIGN AND RELEASE OF  
 PERMIT DRAWINGS.

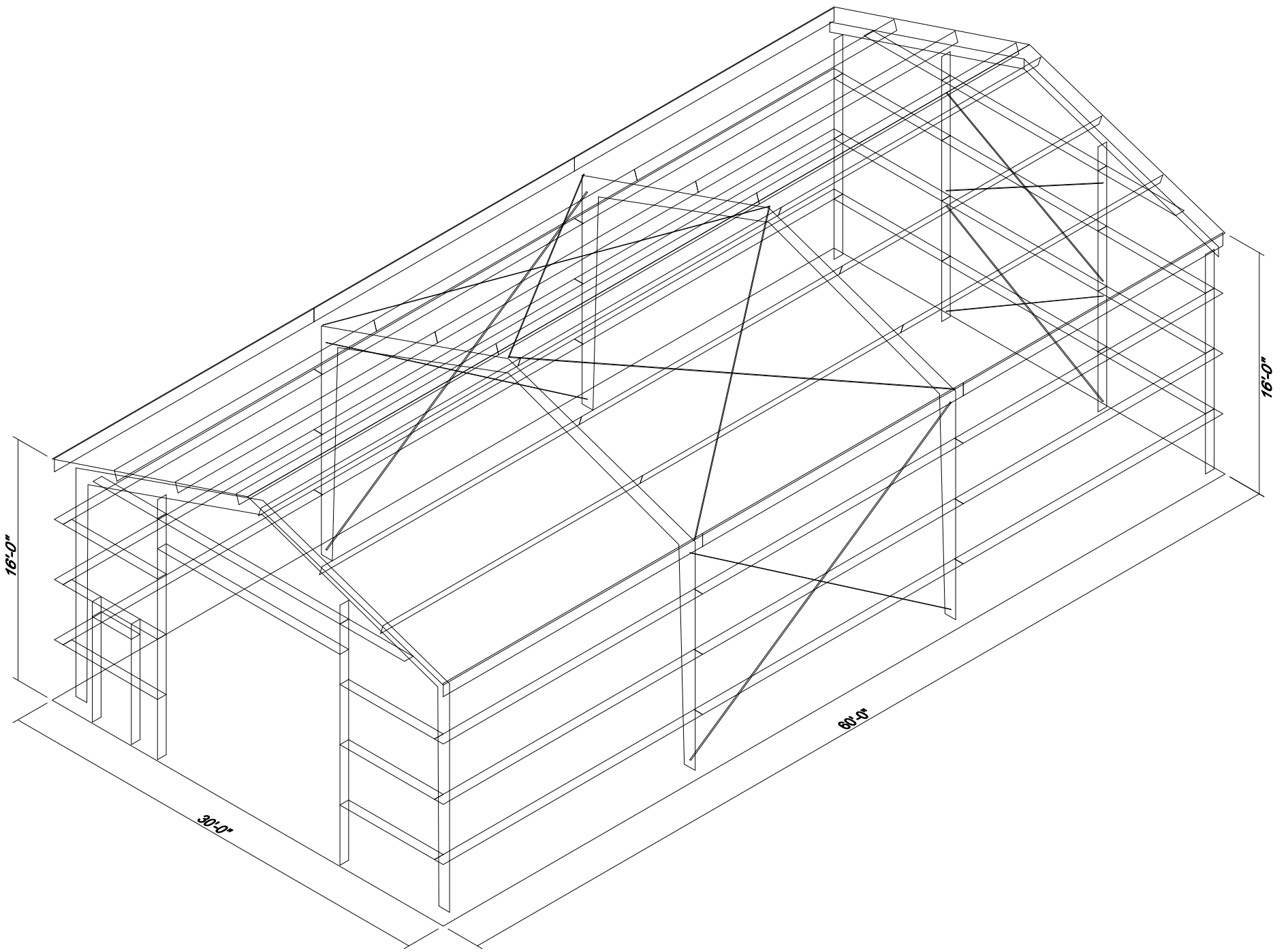
ISSUE	DESCRIPTION	DATE	DRN.	CHK.	DES.
P	PERMIT	9/20	TBD	MBS	TBD



2 Inverness Drive East, Ste#200  
 Englewood, Colorado 80112  
 PHONE: 800-345-4610  
 www.armstrongsteel.com

DESCRIPTION	RIGID FRAME ELEVATION
CUSTOMER	DEALER
END USER	PROJECT
SCALE	NOT TO SCALE
DATE	DATE
TBD	9/24

Belain Jonathan and Pamela Jensen(C)



16'-0"

30'-0"

60'-0"

16'-0"