

**SHEET INDEX**

	TITLE
T0.0	TITLE SHEET
A1.0	FLOOR PLAN
A2.0	POOL DTLS
A3.0	POOL ENCLOSURE DTLS



REVISION  
 05.23.23 FOR CONSTRUCTION

CONSTRUCTION  
 DRAWINGS

TITLE  
 SHEET

**T0.0**

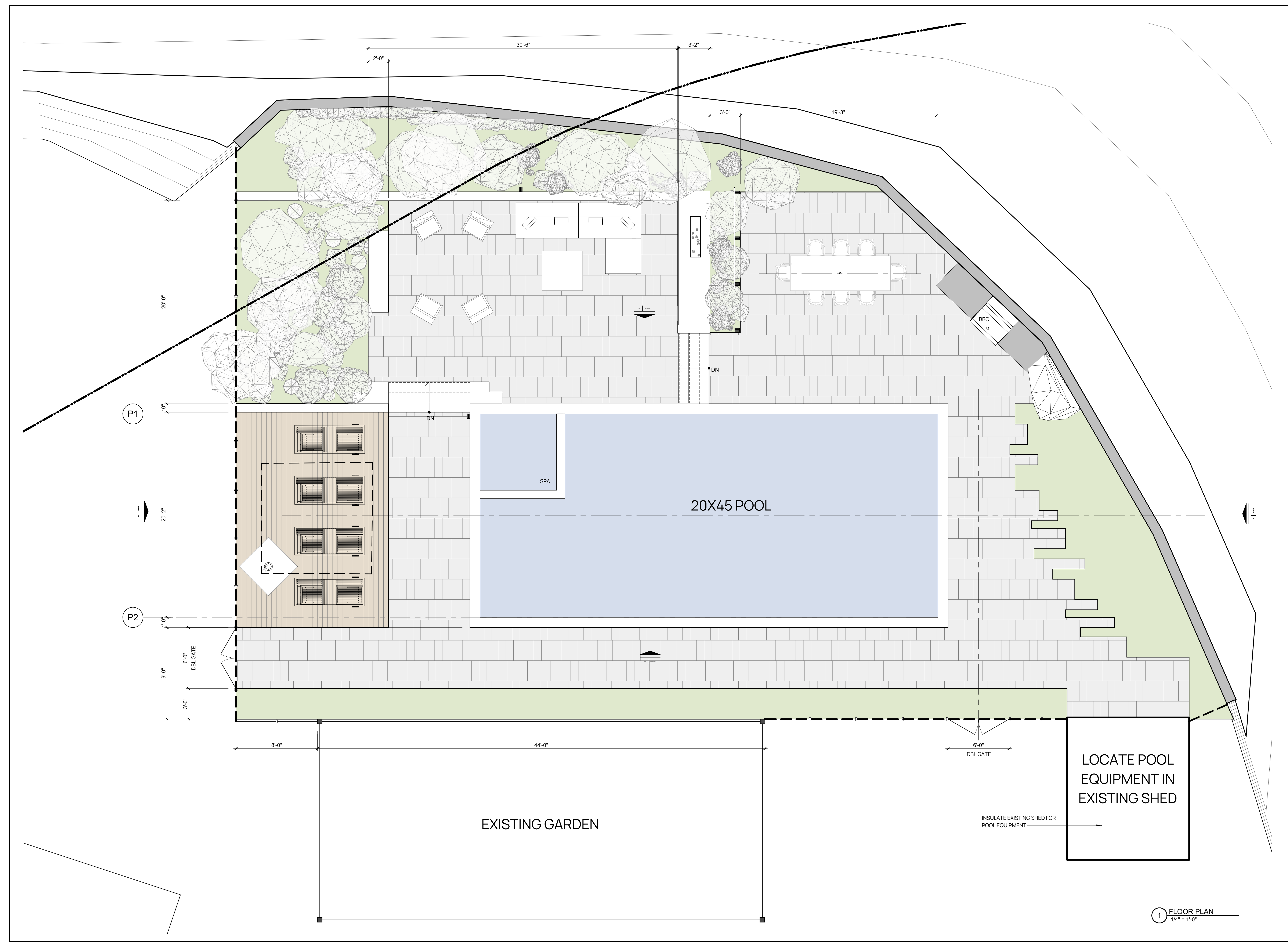


REVISION
03.26.23 SCHEMATIC DESIGN
05.23.23 FOR CONSTRUCTION

CONSTRUCTION  
DRAWINGS

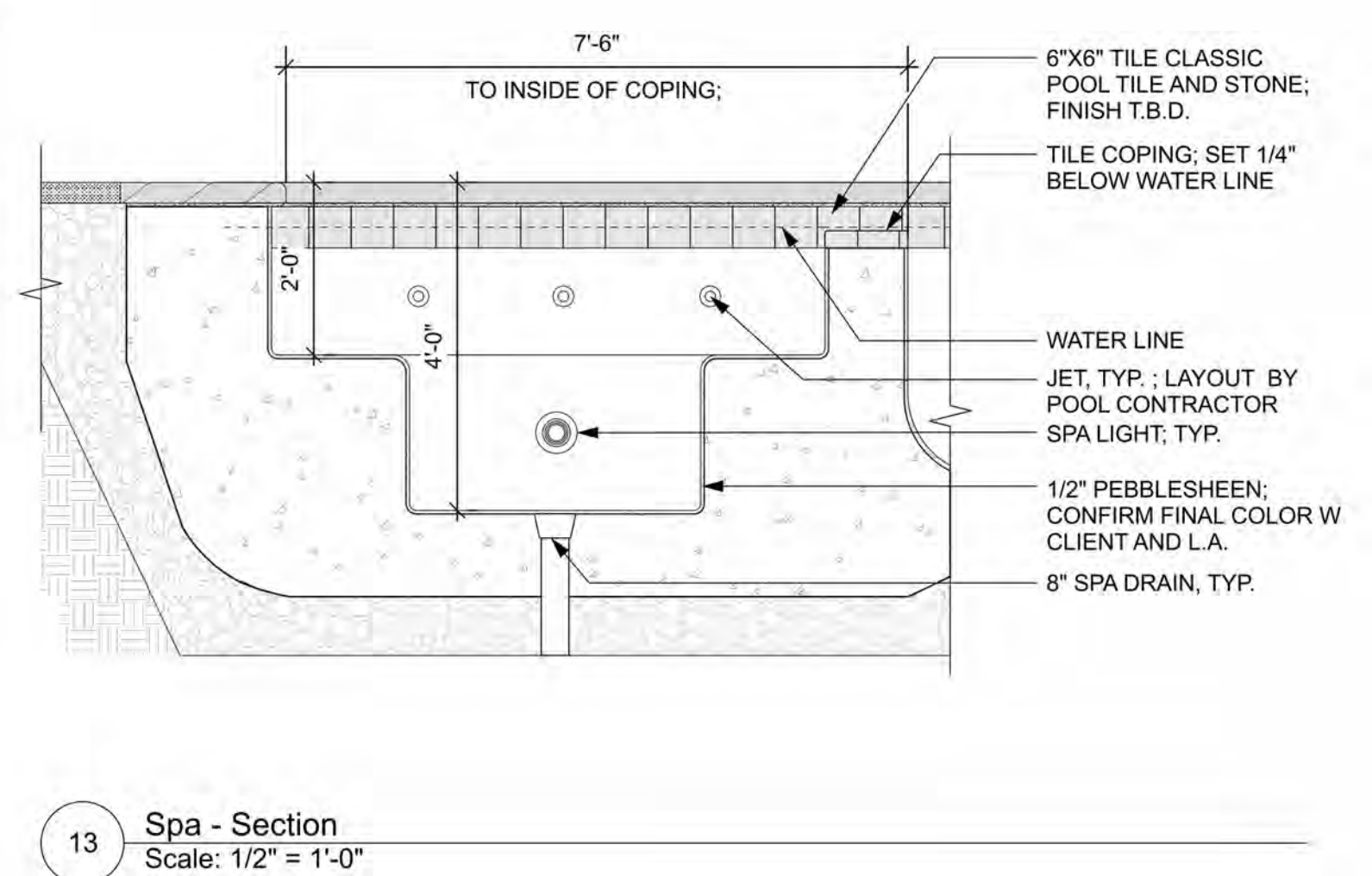
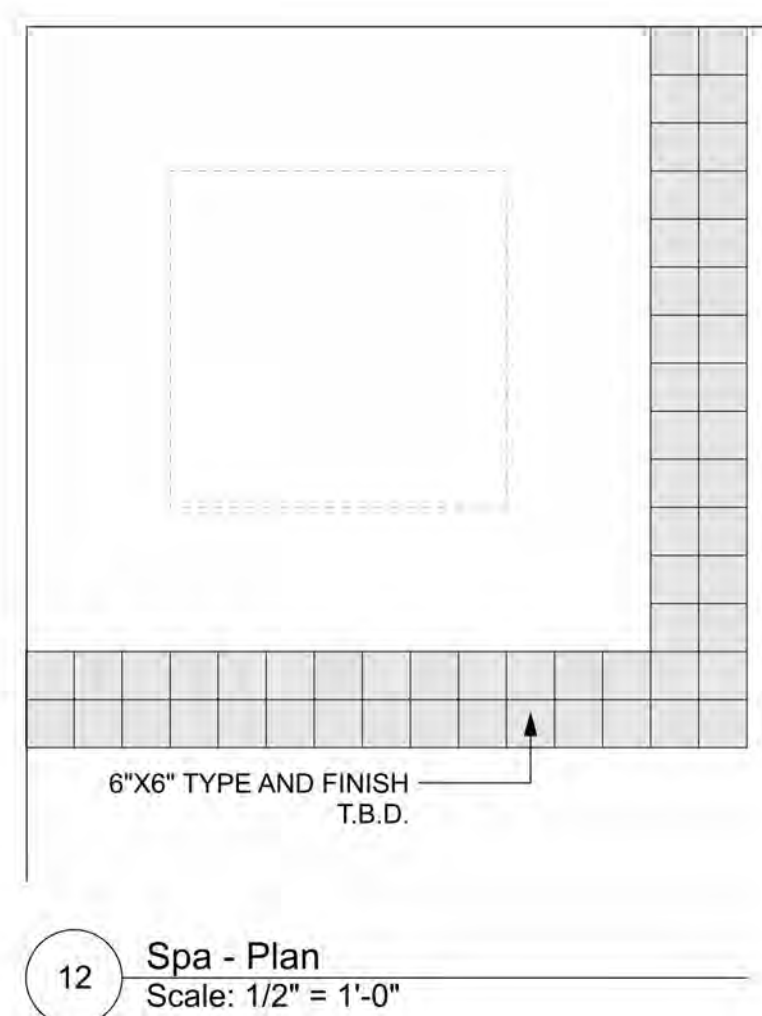
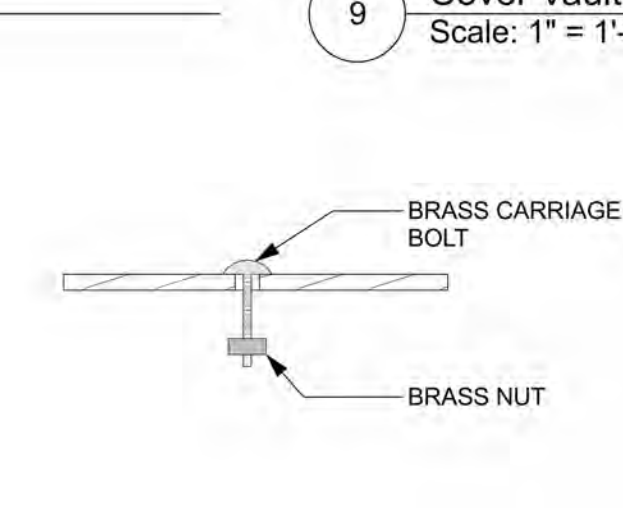
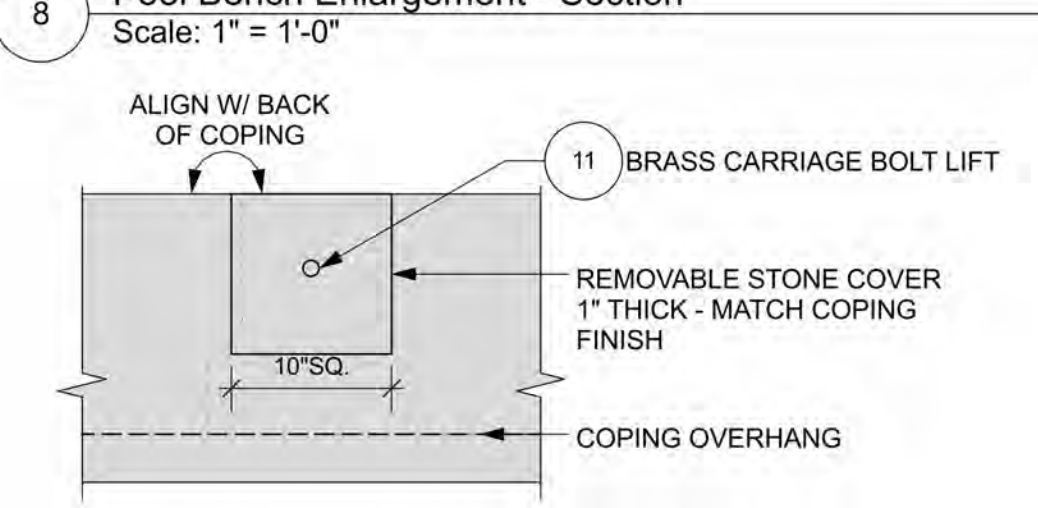
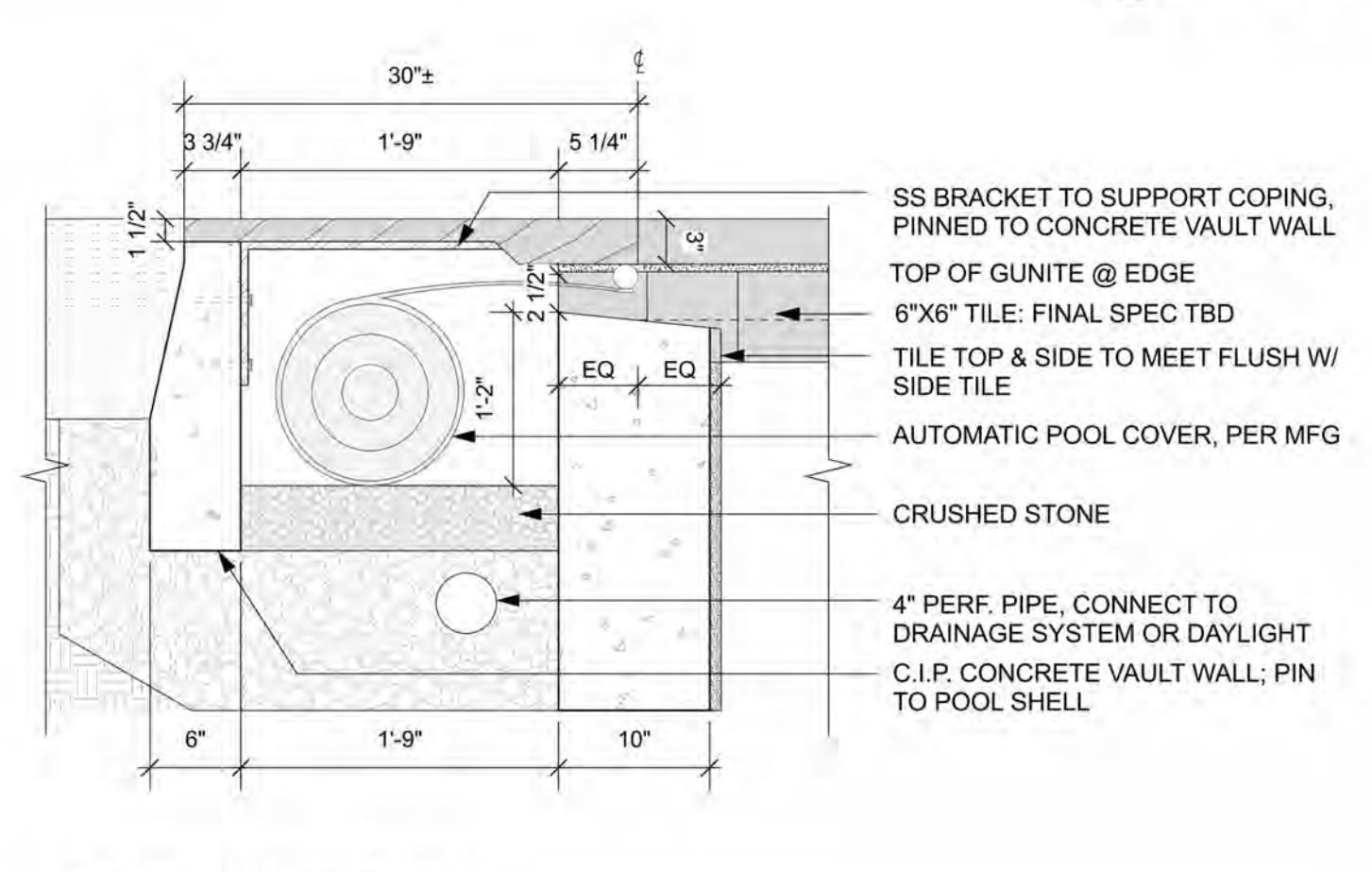
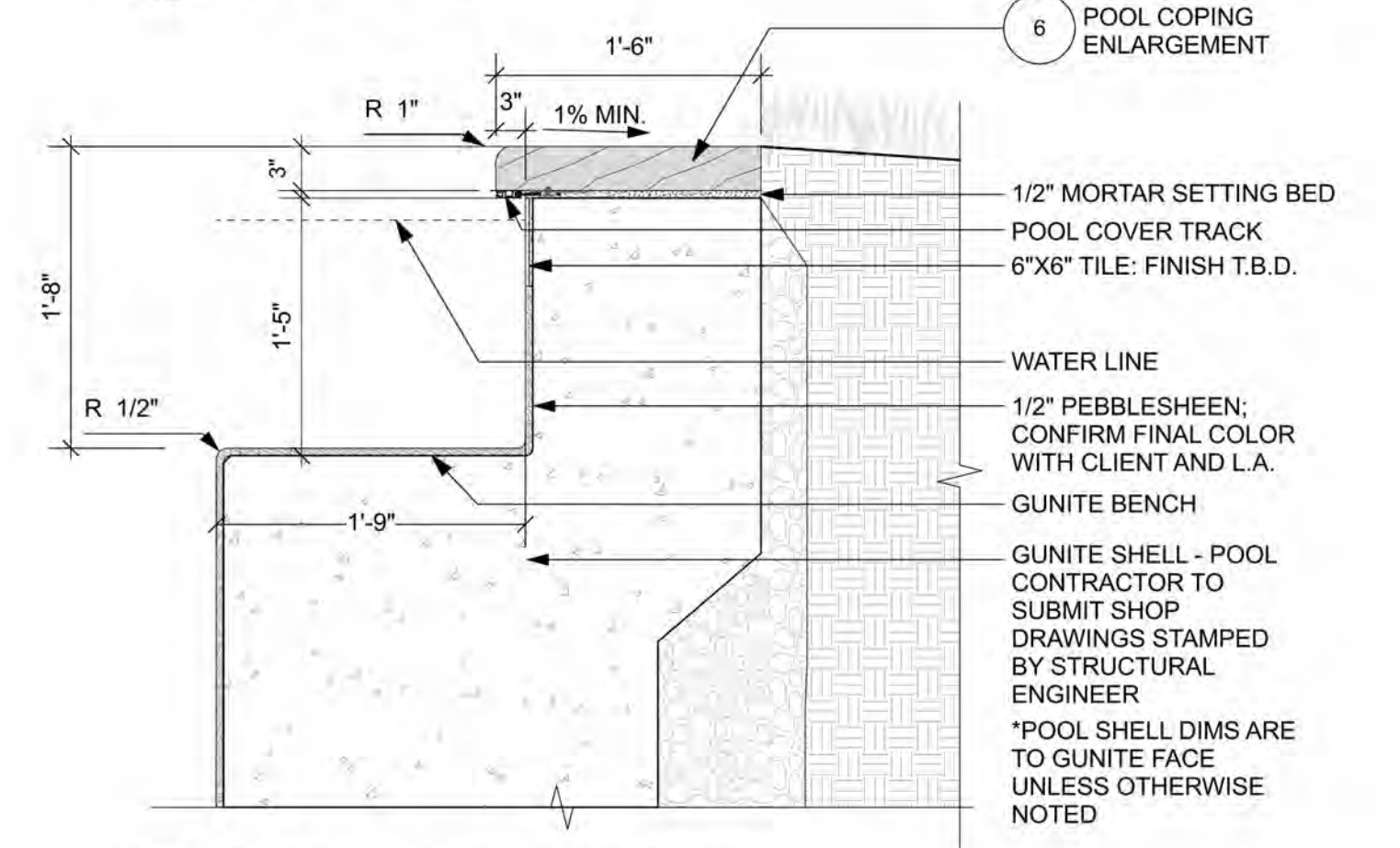
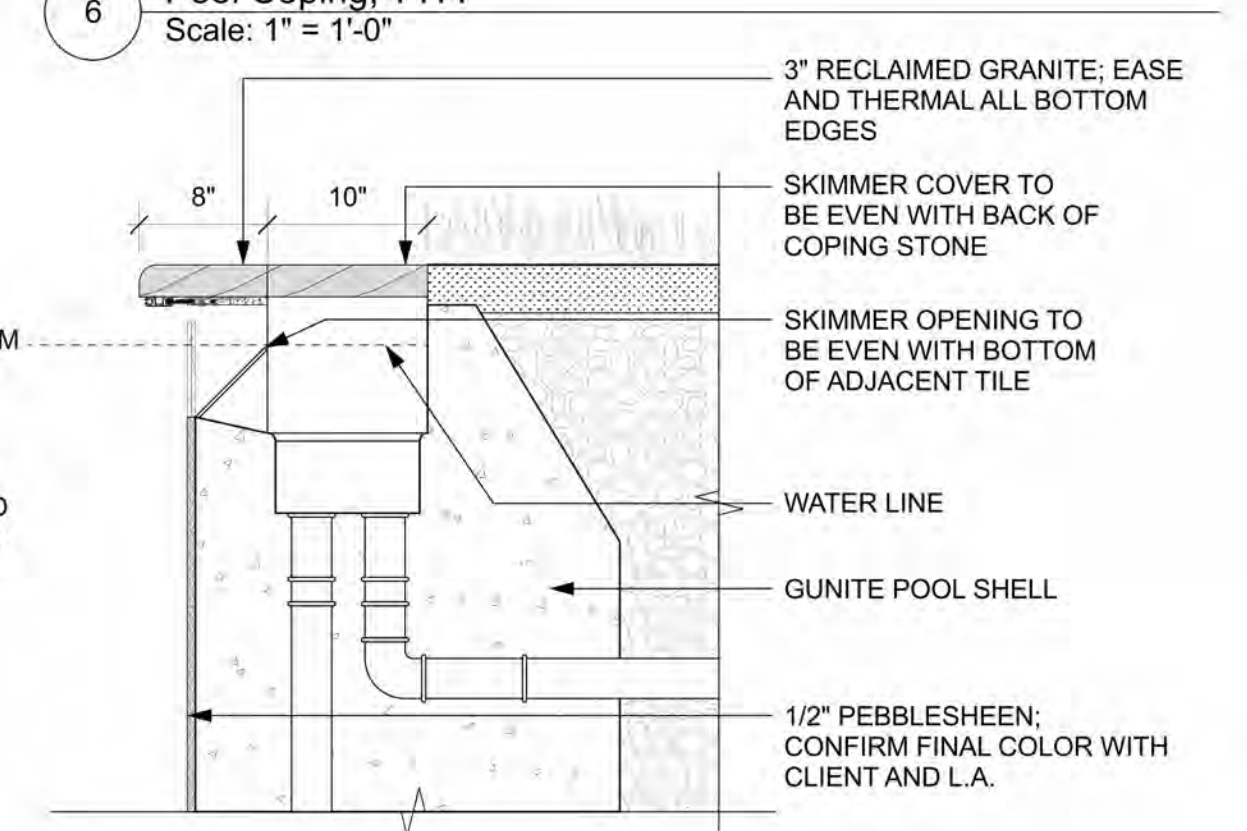
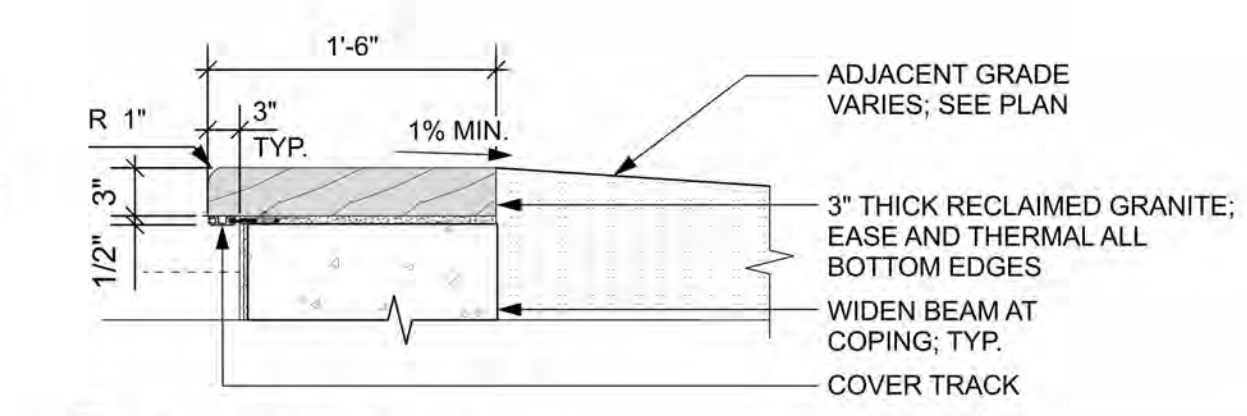
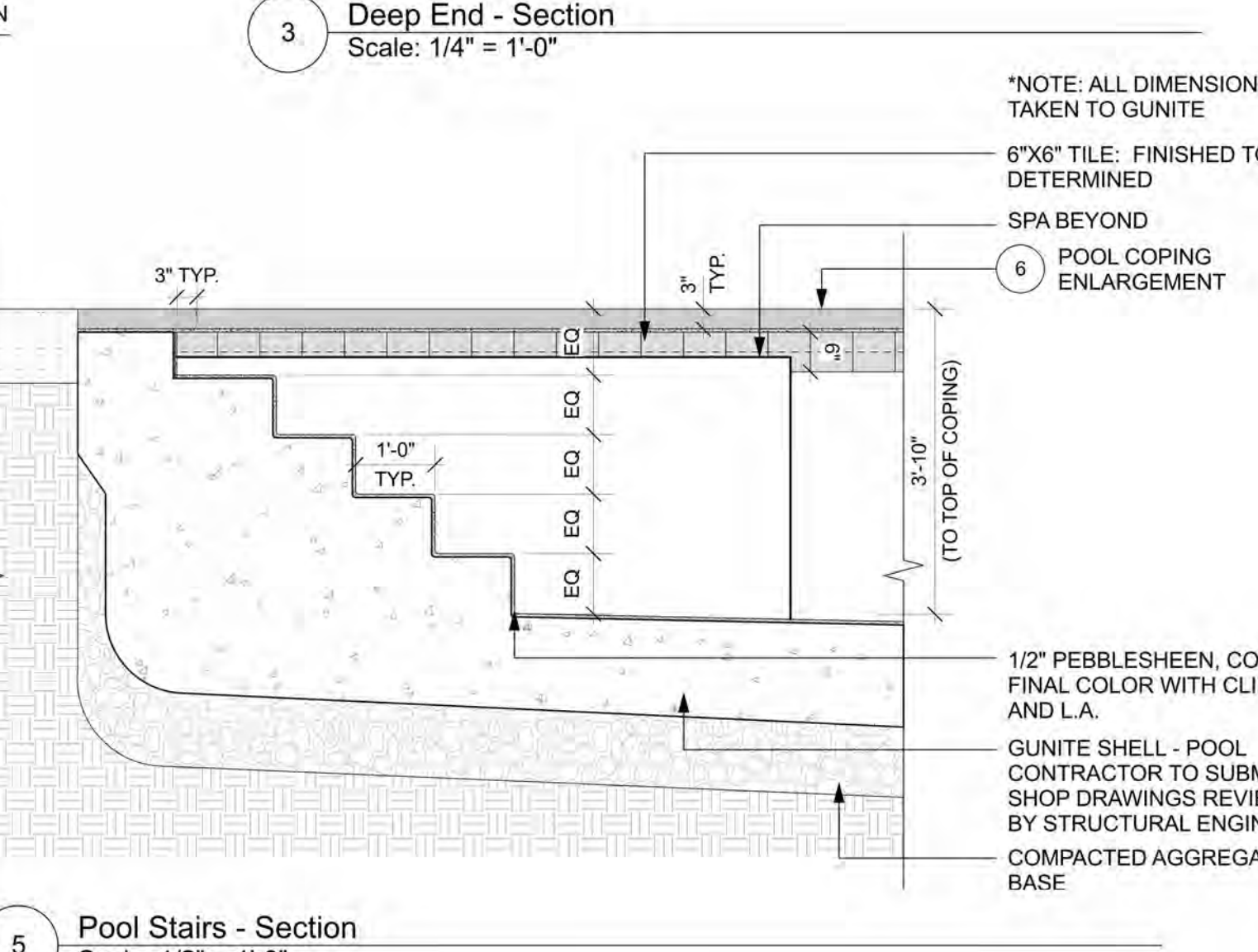
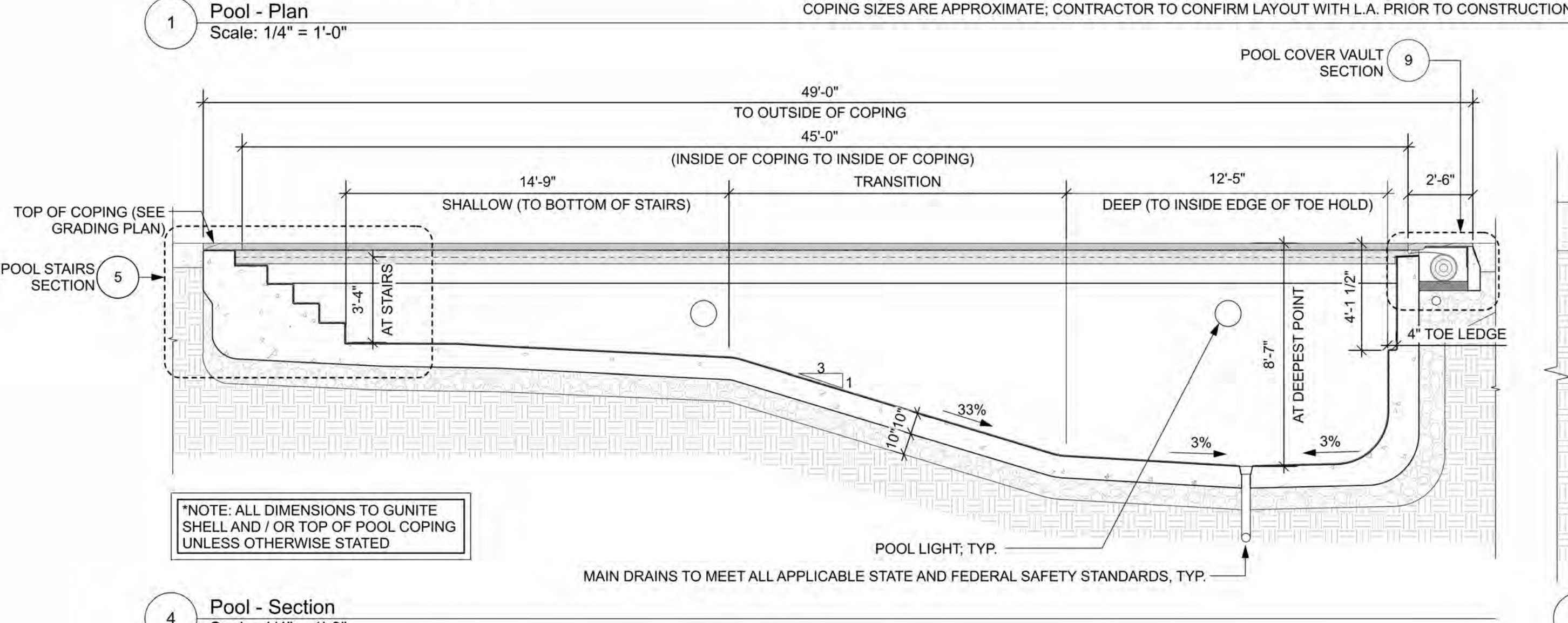
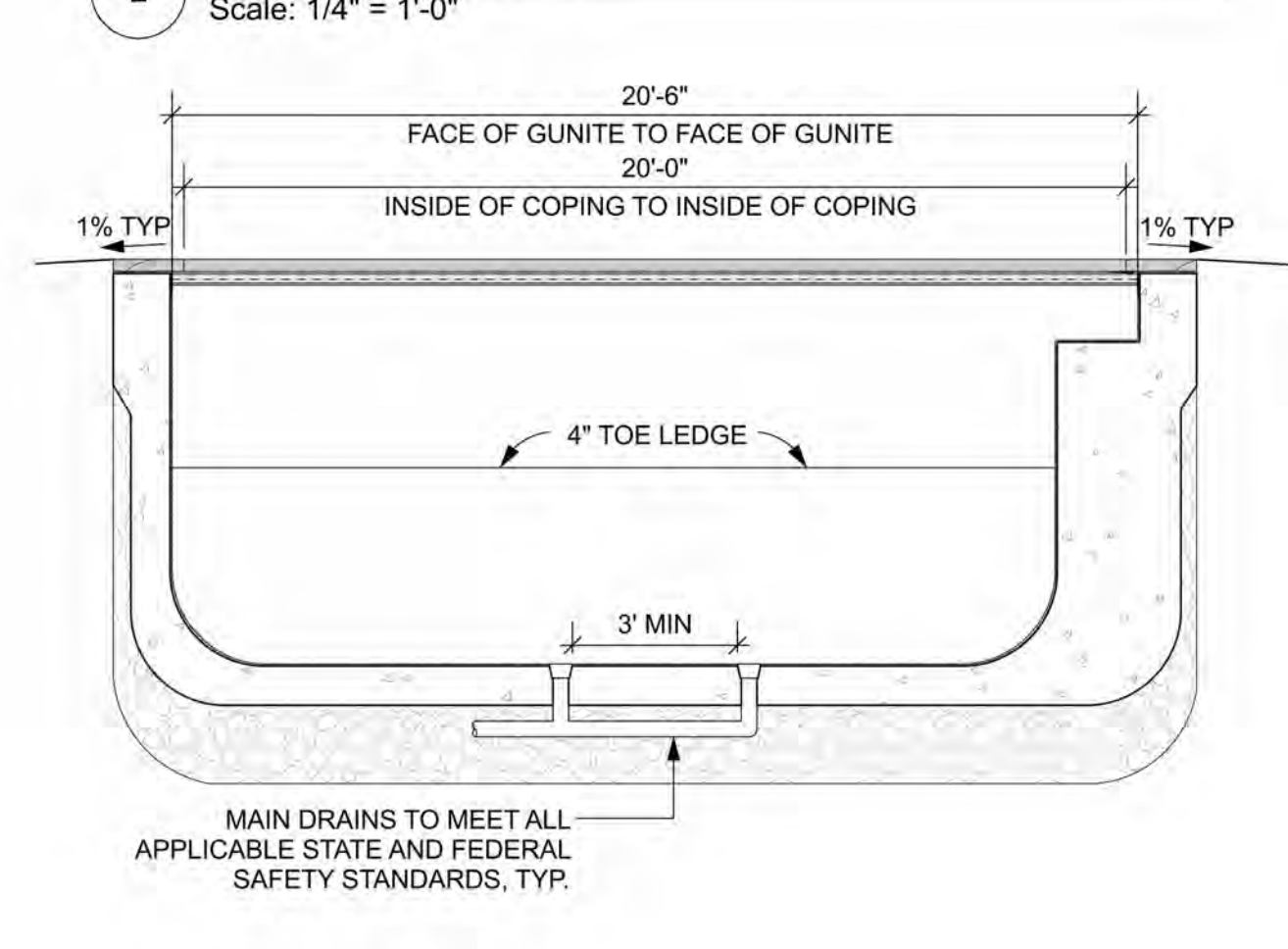
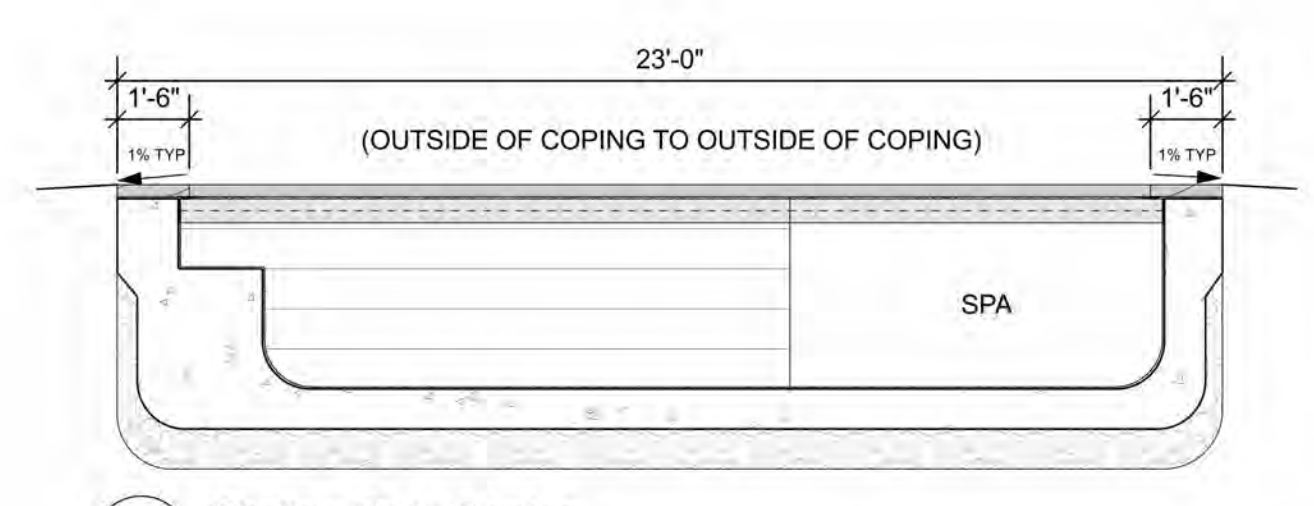
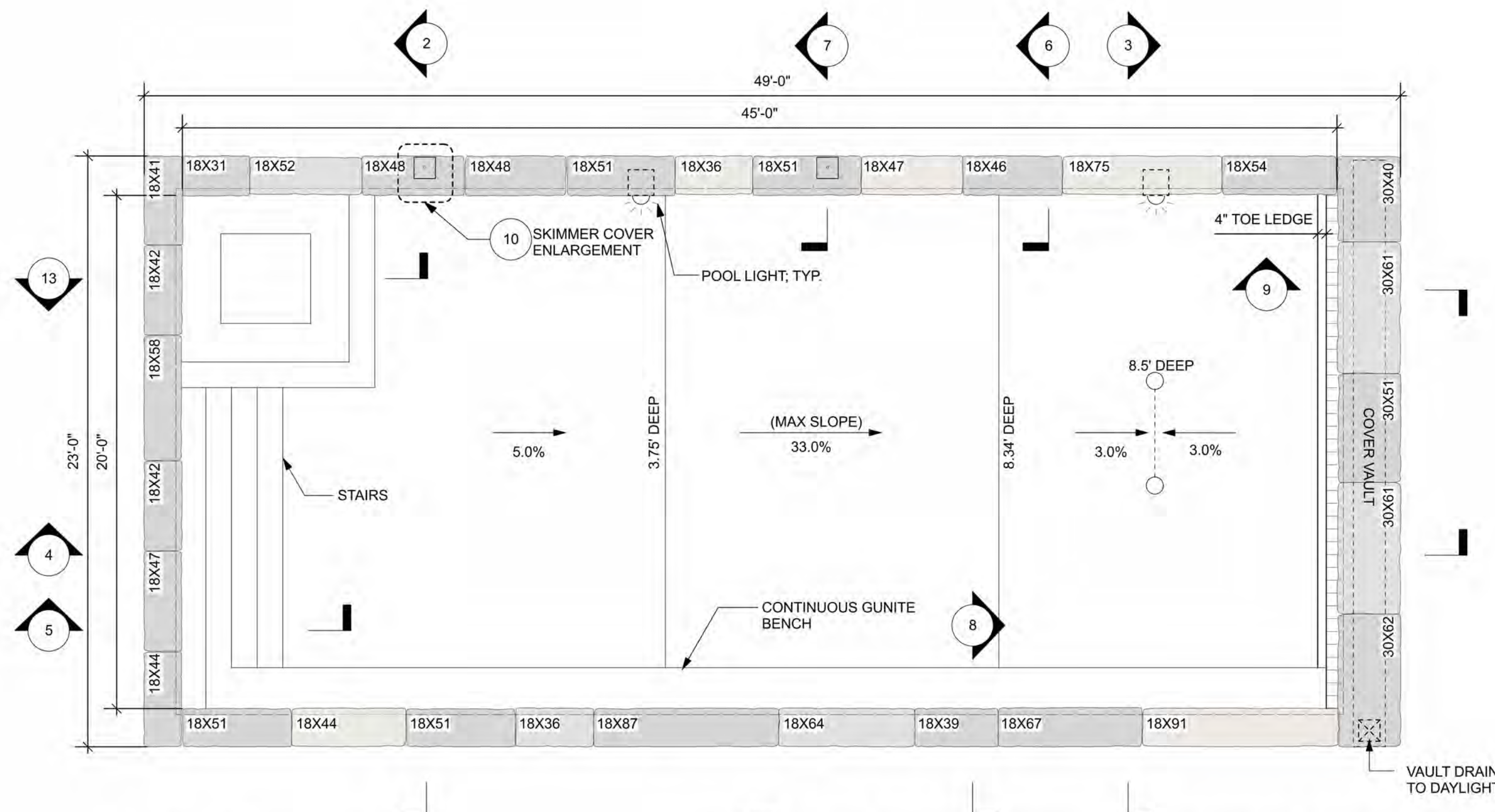
FLOOR PLAN

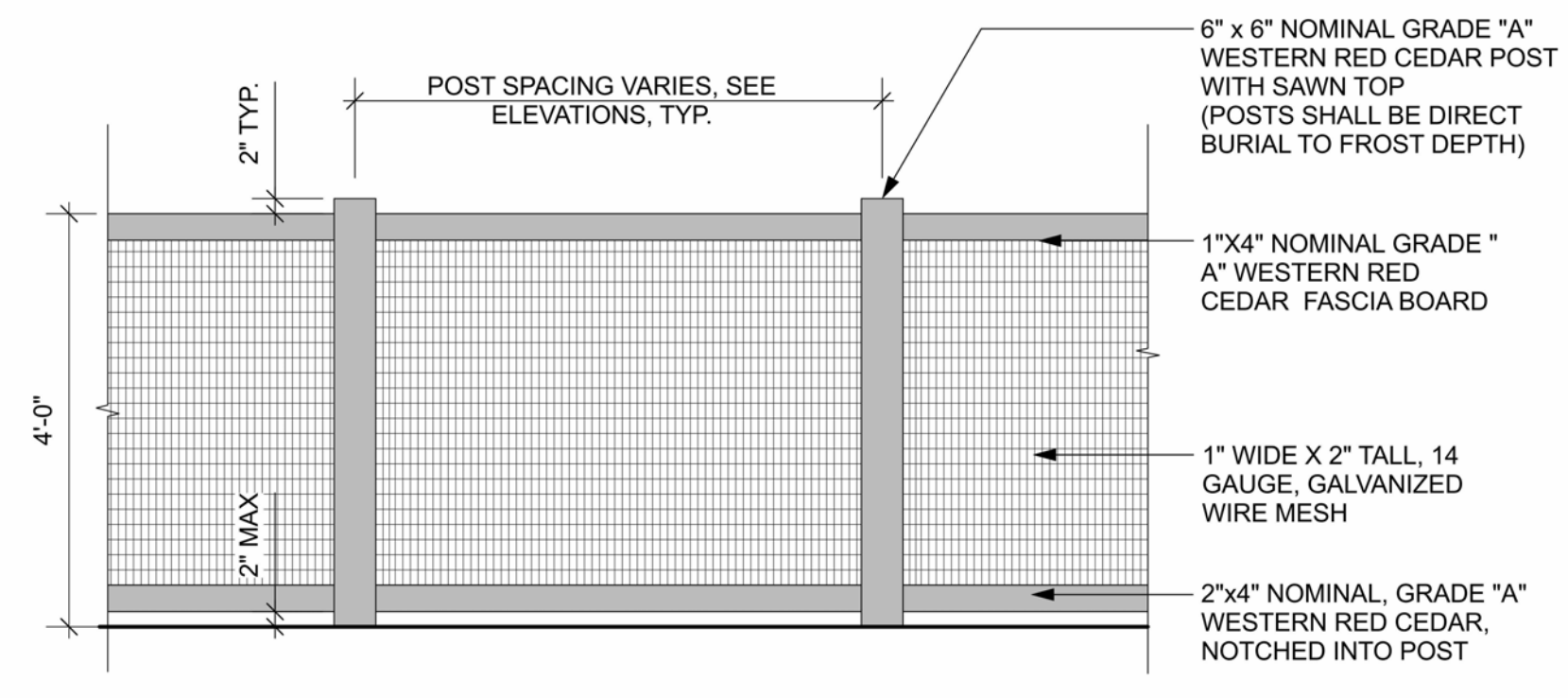
**A1.0**



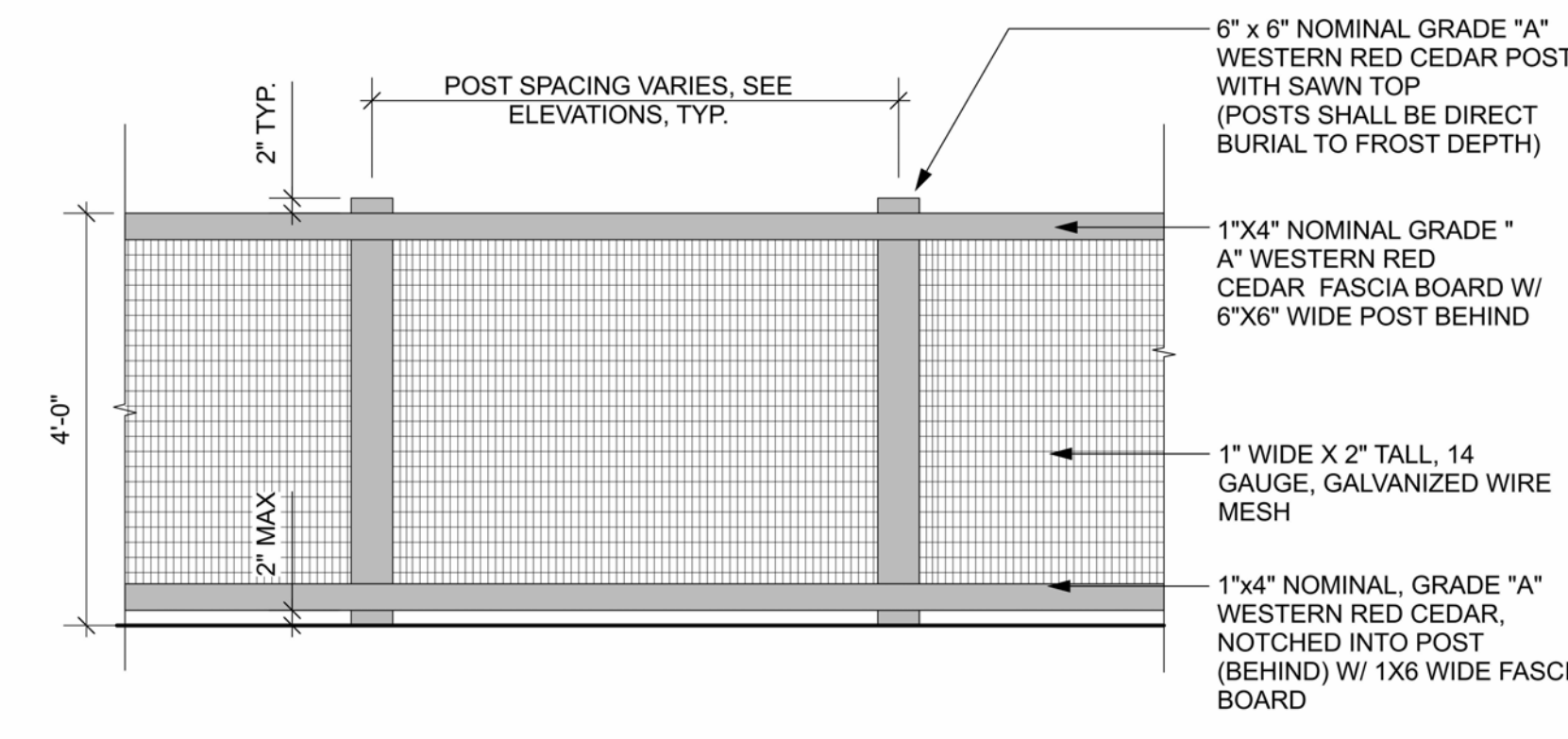
1 FLOOR PLAN  
 1/4" = 1'-0"

- NOTES:**
1. POOL CONTRACTOR TO REVIEW ALL DETAILS AND CONFIRM THAT DIMENSIONS AND SPECIFICATIONS ARE IN KEEPING WITH STANDARD POOL CONSTRUCTION METHODS AND DETAILING
  2. POOL CONTRACTOR SHALL SUBMIT STAMPED STRUCTURAL ENGINEER'S DRAWINGS FOR POOL CONSTRUCTION.
  3. POOL CONTRACTOR WILL REPORT ANY CHANGES OR DISCREPANCIES TO LANDSCAPE ARCHITECT AND GENERAL CONTRACTOR
  4. POOL CONTRACTOR IS TO ENSURE THAT POOL IS INSTALLED IN KEEPING WITH ALL LOCAL, STATE, AND FEDERAL BUILDING AND ZONING CODES
  5. POOL AREA MUST BE FENCED AT ALL TIMES IN ACCORDANCE WITH REQUIRED LOCAL, STATE, AND FEDERAL CODES
  6. ELECTRICIAN TO ENSURE THAT ALL ELECTRICAL RELATED TO THE POOL IS INSTALLED IN ACCORDANCE WITH LOCAL, STATE, AND FEDERAL CODES
  7. POOL CONTRACTOR TO PROVIDE HEATER, UV FILTER, AND ALL ASSOCIATED FILTRATION AND PUMP EQUIPMENT
  8. POOL CONTRACTOR PRICE TO INCLUDE AUTO-COVER AND WINTER COVER

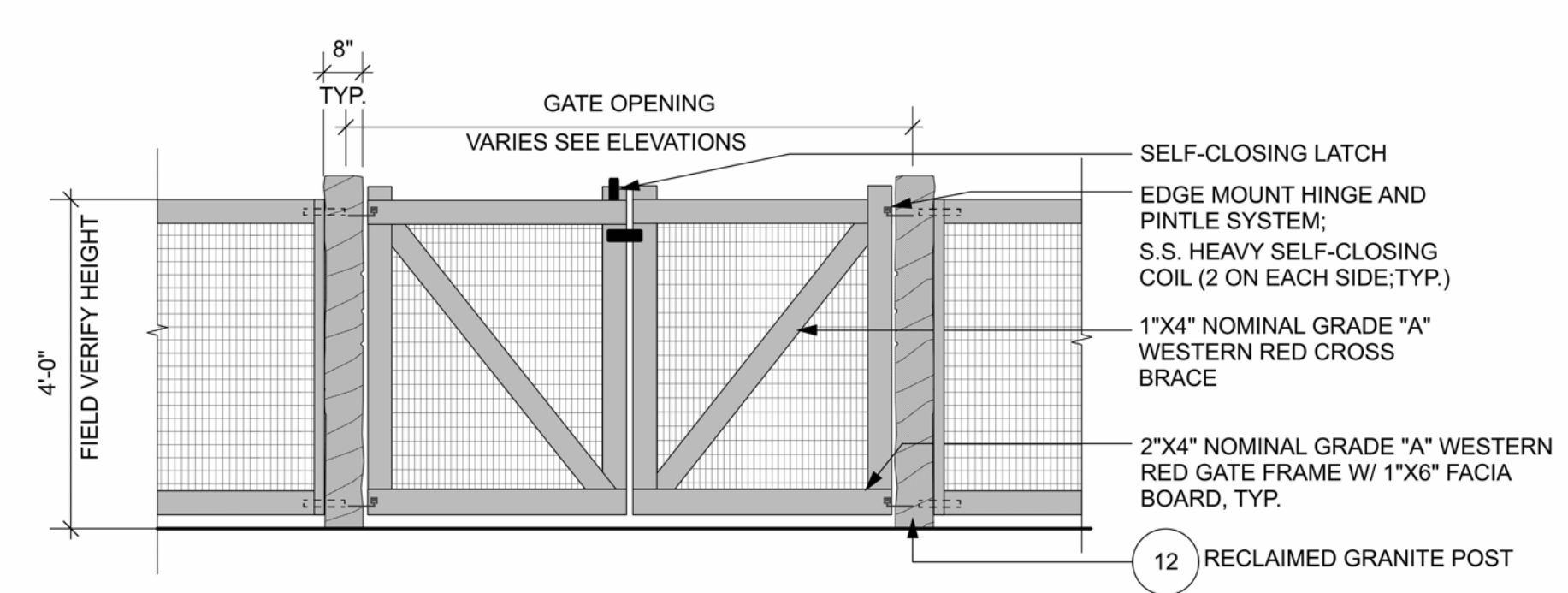




6 Pool Enclosure Fence - Rear Elevation, TYP.  
 Scale: 1/2" = 1'-0"



7 Pool Enclosure Fence - Front Elevation, TYP.  
 Scale: 1/2" = 1'-0"



8 Pool Enclosure Double Gate - Elevation  
 Scale: 1/2" = 1'-0"



REVISION  
 05.23.23 FOR CONSTRUCTION

CONSTRUCTION DRAWINGS

POOL ENCLOSURE DTLS

A3.0