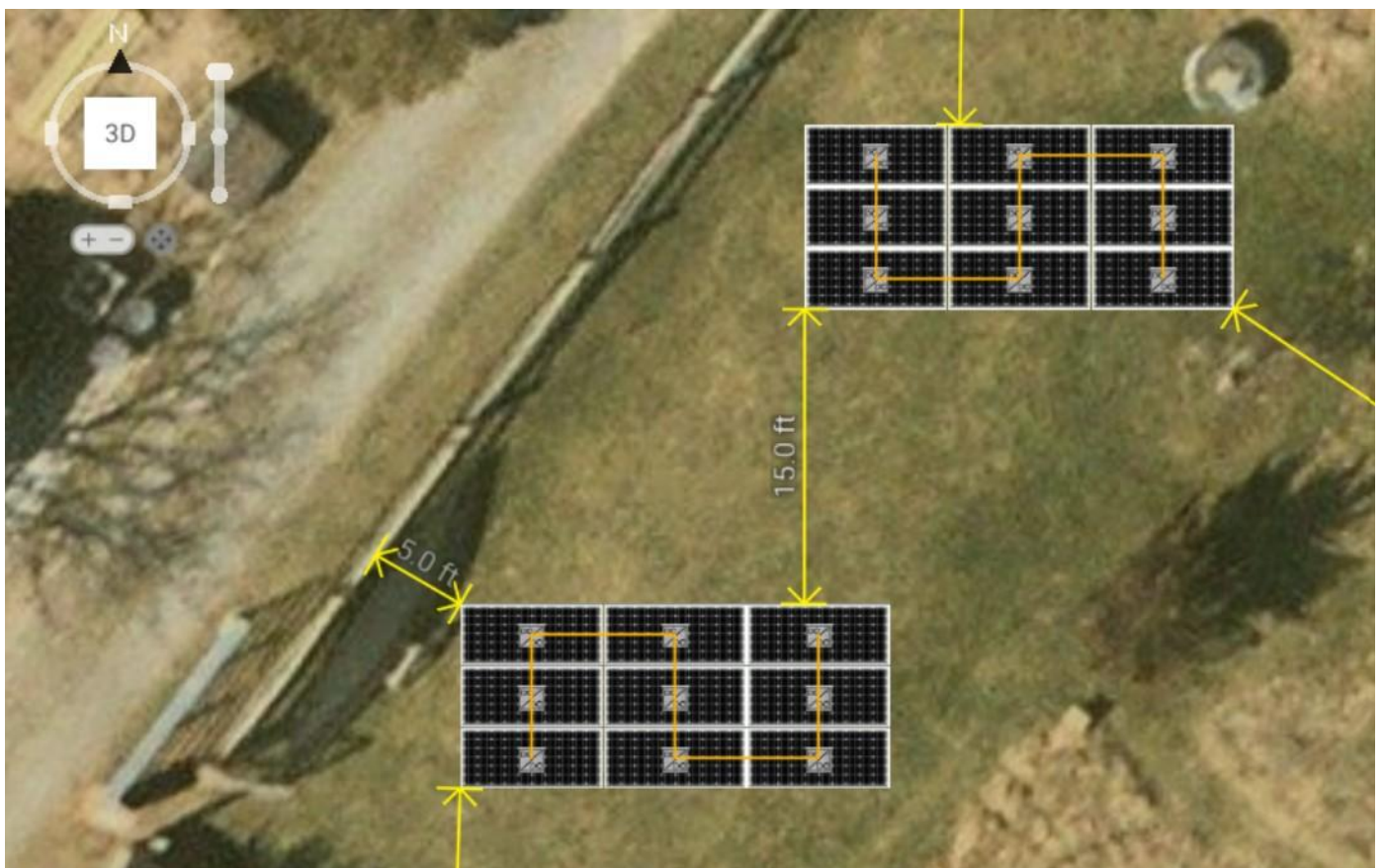


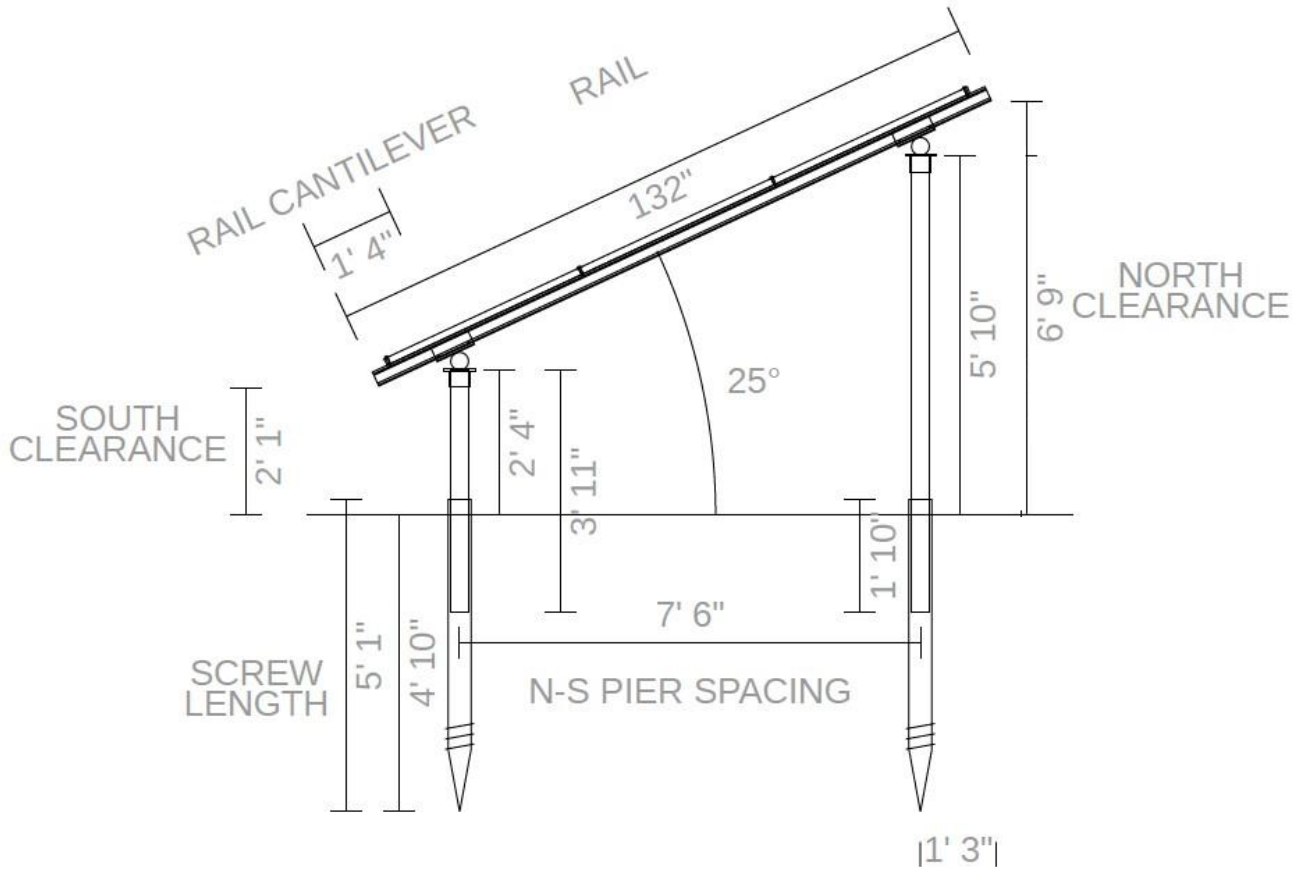
Proposed Setbacks and Placement

David Berlow Service Meter
And Access Road



Array Specifications (X3)

Elevations



Array Area

