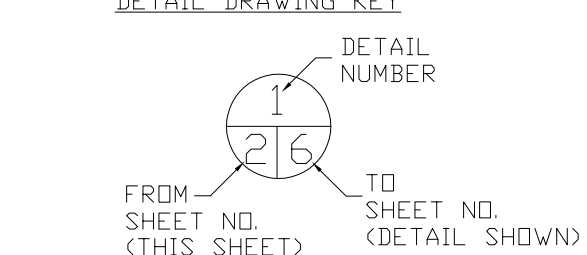


- GENERAL NOTES
- ALL PRIMARY AND SECONDARY STEEL TO BE RED PRIMED. (INTENDED FOR SHORT TERM EXPOSURE ONLY).
 - LOCKSETS TO BE "TELL" KEYS DIFFERENTLY AND MASTER KEYS. FIELD DRILL (Ø) 5/16" THRU HOLES FOR LOCKSET MOUNTING. DOOR LEAFS ARE SUPPLIED WITH A 2 1/8" BORE AND 1" THRU BOLT FOR CYLINDRICAL LOCKSET. BACKSET 2 3/4".
 - ROOF OVERHANG TO BE 12" FROM STEEL LINE.
 - EXTERIOR WALL PANELS AND TRIM COLORS TO BE DETERMINED BY OWNER.
 - WALK DOOR IN BI-FOLD DOORS, SIDE AND END WALLS WHERE APPLICABLE, TO BE FLUSH AND WHITE IN COLOR. (PER MANUFACTURERS STANDARD)
 - BI-FOLD DOOR PUSH BUTTON OPERATORS: MOMENTARY PRESSURE "DOOR DOWN" & "DOOR UP".
 - BI-FOLD DOOR EQUIPPED WITH SAFETY INTERLOCK SWITCHES AND MANUAL CAMLOCKS.
 - EACH BI-FOLD DOOR IS PROVIDED WITH A "COLD WEATHER" PACKAGE WHICH INCLUDES' BOTTOM, CENTER, TOP RUBBER ASTRAGAL AND JAMB SEALS.



© Erect-A-Tube, Inc., 2022. All rights reserved. This work may not be reproduced, distributed, publicly performed or displayed, or used as the basis for derivative works without the express prior written consent of Erect-A-Tube, Inc.

SEAL EXP. DATE:			
No.	Revision/Issue	By	Date
1	FLIP ORIENTATION & 54" DOOR	DJS	12/20/22

701 WEST PARK STREET
HARVARD IL 60033-0100
OFFICE 815-943-4091
FAX 815-943-7756

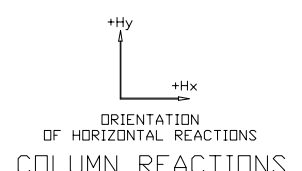
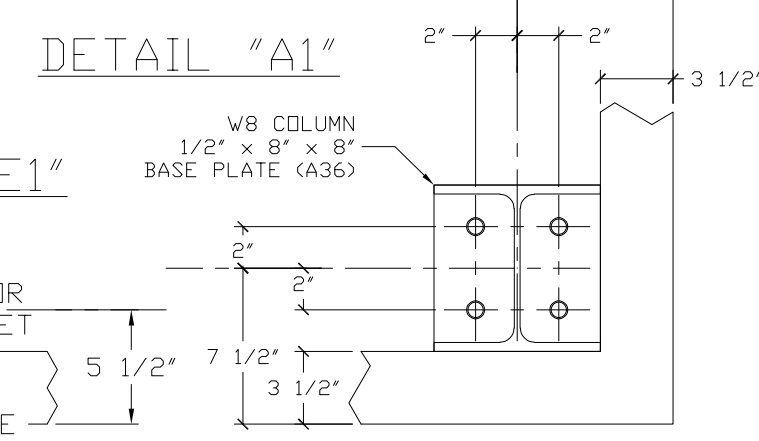
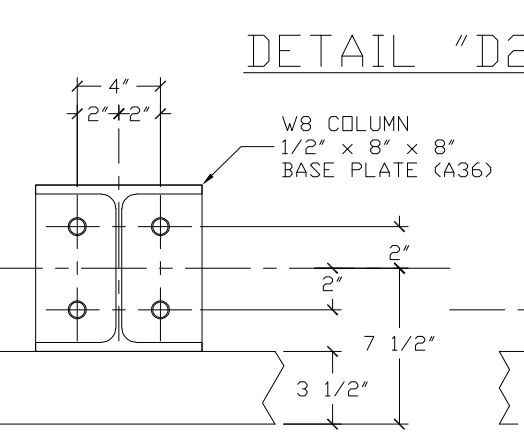
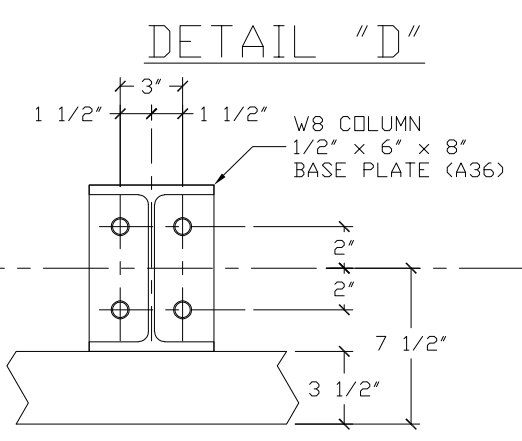
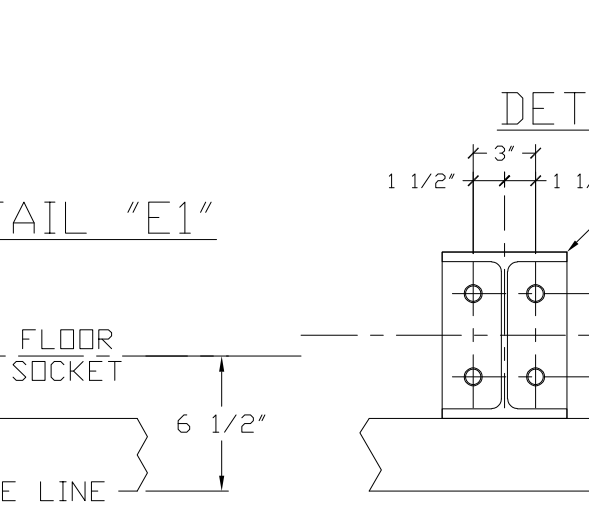
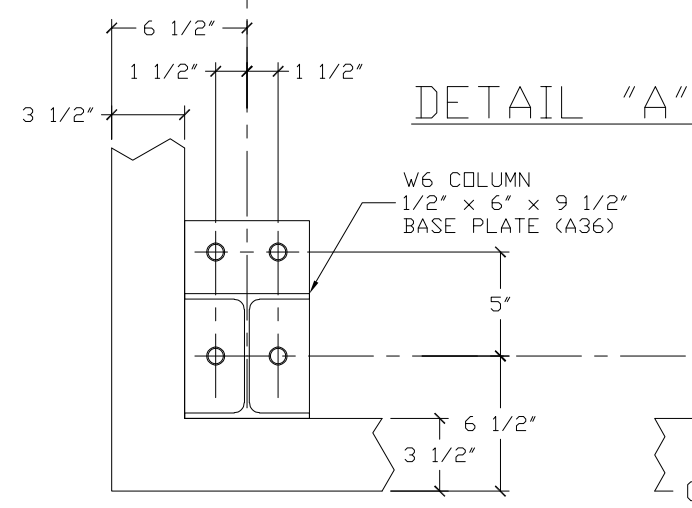
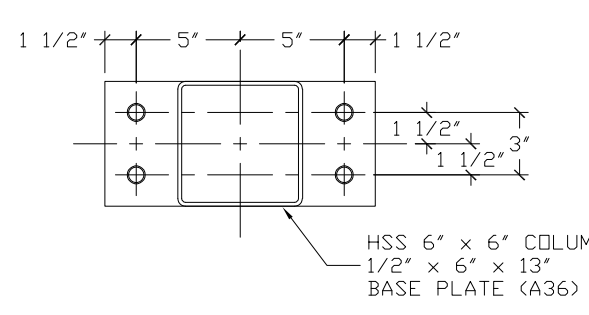
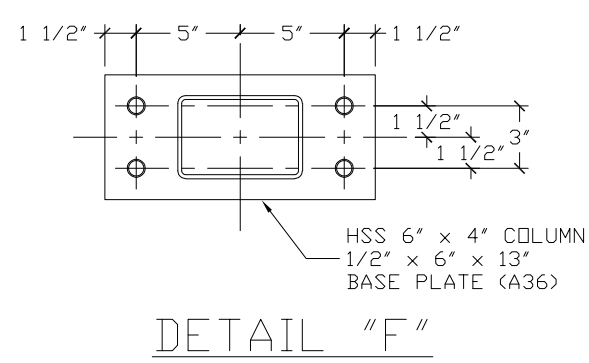
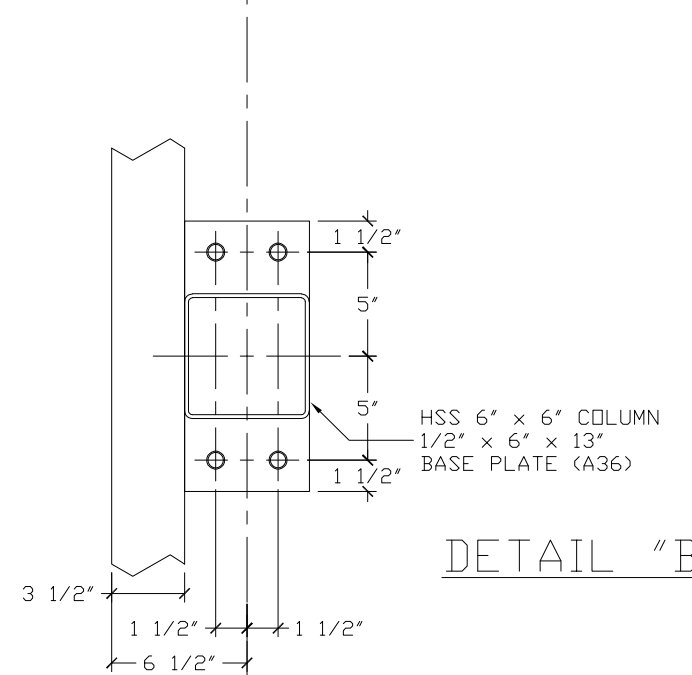
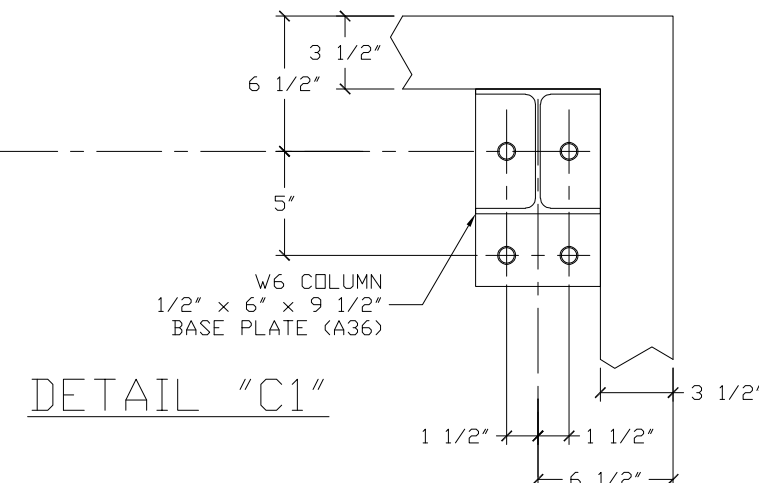
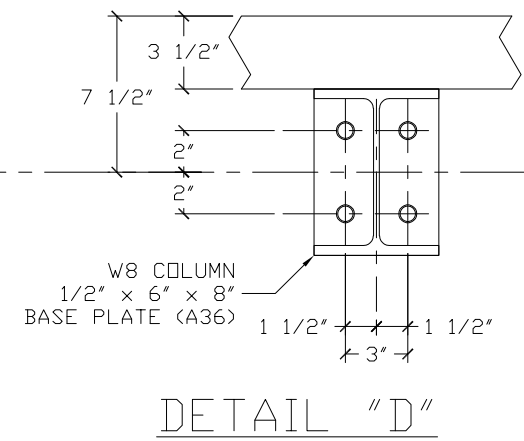
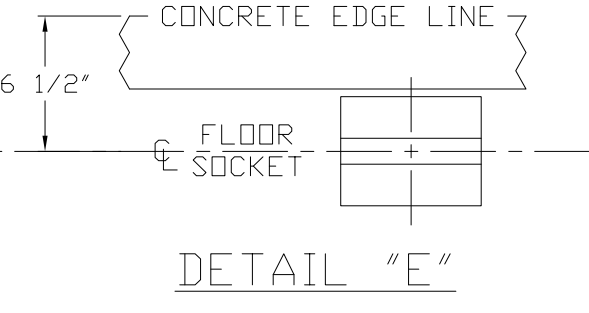
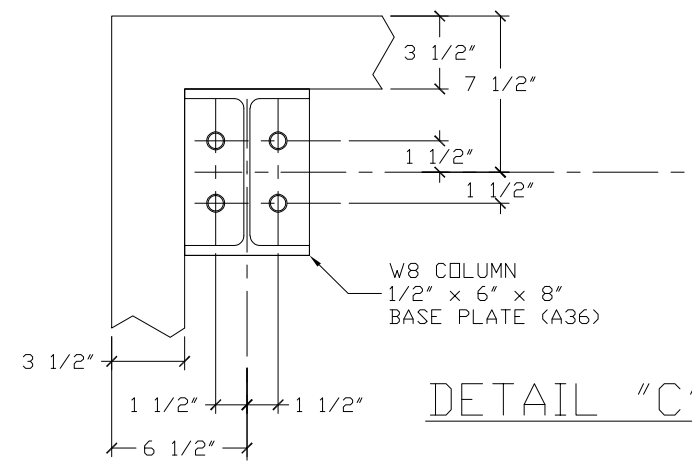
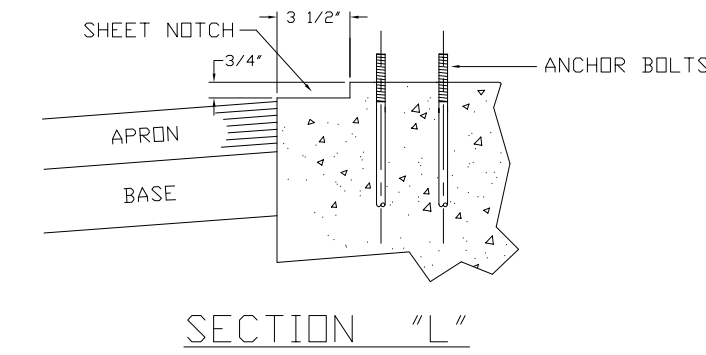
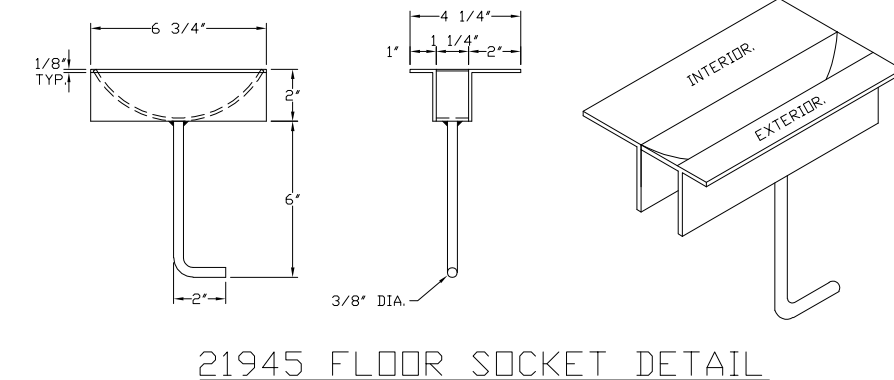
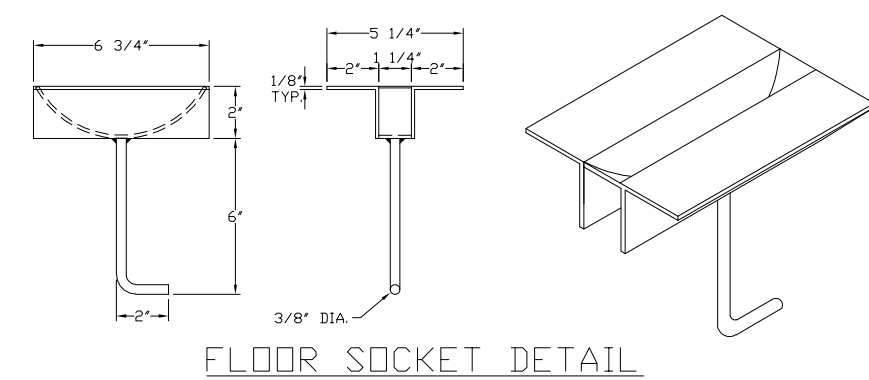
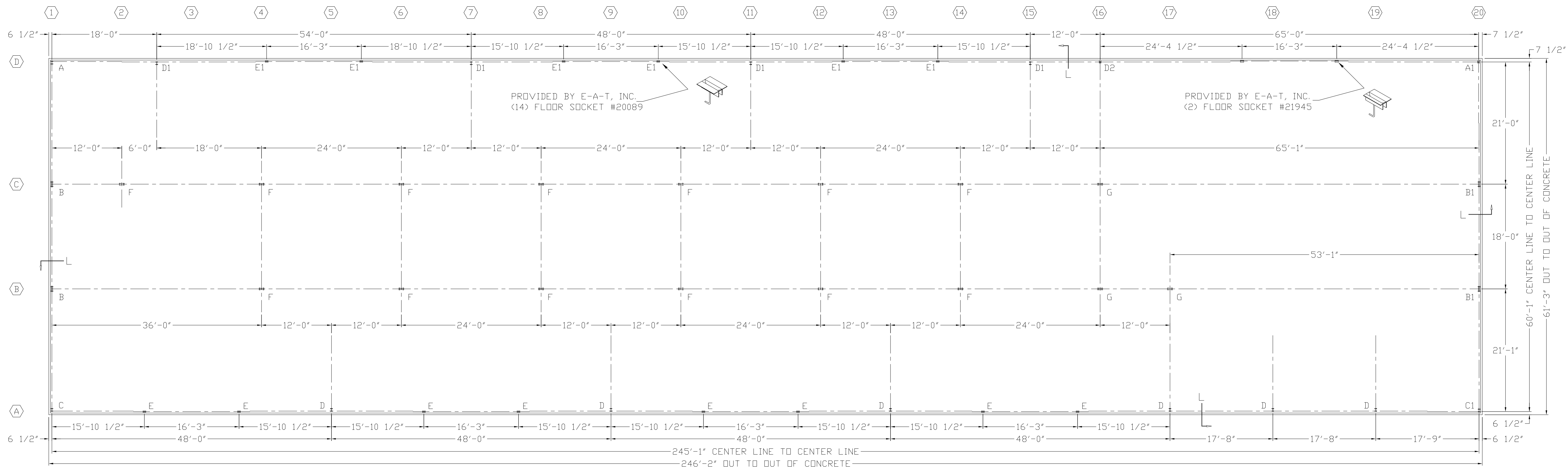
Client Name and Address
GARY BENDAVID BUILDERS, INC.
63A NAUSHON AVE
OAK BLUFFS, MA 02557

Project Name and Address
71 AIRPORT RD, VINEYARD HAVEN,
MA 02568

8 UNIT N60-48 w/ 65 JET POD

FLOOR PLAN & ELEVATIONS

EAT Project: EB1XX	Created by:
Date: 12-12-22	Date:
Drawn By: DJS	Sheet:
Scale: NONE	2 OF 10

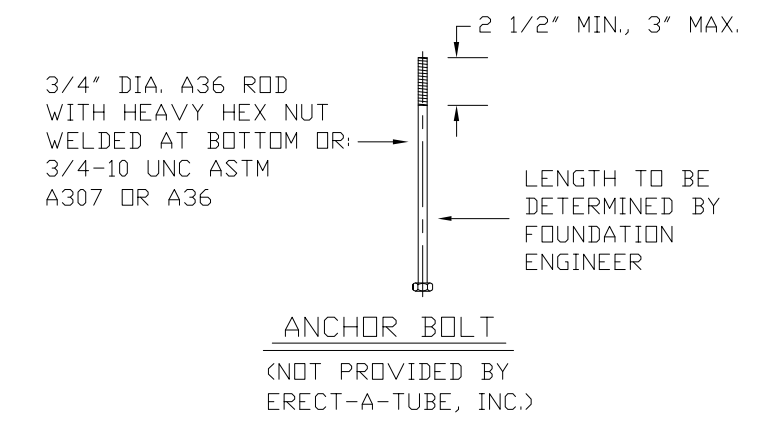


COLUMN	Vdown - kips			Vup - kips		
	VdL	VdC	VdL	VdL+VdC+VdL	VuP	±Hy
C.1	0.47	0.00	3.48	3.94	3.70	3.51
B.1	2.03	0.00	10.43	12.46	11.98	3.51
C.2	1.40	0.00	10.43	1.83	9.25	3.37
B.6,B.8,B.10,B.12,B.14,C.4,C.6,C.8,C.10,C.12,C.14	1.87	0.00	13.91	15.78	14.77	3.37
B.4	2.97	0.00	17.38	20.35	16.79	3.37
D.1	0.63	0.00	4.68	5.31	5.23	2.67
B.3,D.15	3.48	0.00	10.30	13.78	7.03	1.77
A.5,A.9,A.13,D.7,D.11	6.21	0.00	14.98	21.18	10.38	1.77
A.1	3.10	0.00	7.49	10.59	6.35	2.67
A.20	0.46	0.00	3.38	3.84	9.331	3.46
B.16,B.17,B.20,C.16,C.20	4.65	0.00	18.83	23.48	9.46	4.34
D.20	5.61	0.00	10.14	15.75	21.86	3.46
A.17	4.00	0.00	13.99	17.99	13.05	2.67
D.16	5.86	0.00	12.01	17.87	12.91	3.46
A.18,A.19	0.91	0.00	6.76	7.67	10.42	5.37
FS1 (2 PER 48'-0" DOOR)	N/A	N/A	N/A	N/A	N/A	2.70
FS2 (2 PER 65'-0" DOOR)	N/A	N/A	N/A	N/A	N/A	4.62

- CONCRETE NOTES:**
- ALL PIERS TO BE AT THE SAME ELEVATION.
 - CONCRETE C.S. TO BE PER BID DOCUMENTS AND/OR FOUNDATION ENGINEERING PLAN.
 - ANCHOR BOLT REQUIREMENTS: (4) 3/4"-10 UNC, ASTM A307 OR A36 EACH PIER, WITH 2 1/2" MIN. 3" MAX. EXPOSURE. ANCHOR BOLTS NOT PROVIDED BY ERECT-A-TUBE, INC.
 - FLOOR SOCKETS TO BE SET IN CONCRETE AND AT SAME ELEVATION AS TOP OF EXTERIOR COLUMN PIERS.
 - FLOOR IS LEVEL.
 - 3/4" x 3 1/2" SHEET NOTCH AROUND ENTIRE BUILDING EXCEPT AT 3070 WALK DOOR LOCATIONS.
 - CONCRETE, ANCHOR BOLTS, AND ANY EMBEDDED ITEMS, OTHER THAN FLOOR SOCKETS, FURNISHED BY OTHERS.
 - ANCHOR BOLT DIAMETERS WERE DETERMINED BY ALLOWABLE SHEAR AND TENSION PER AISC SPECIFICATIONS (Fy = 36 KSI) OR A307. ANCHOR BOLT LENGTH AND METHOD OF TRANSFERRING FORCES FROM ANCHOR BOLT TO FOOTINGS ARE TO BE DETERMINED BY OTHERS.
 - FOUNDATION MUST BE SQUARE AND SMOOTH. ANCHOR BOLTS MUST BE ACCURATELY PLACED AS SHOWN IN THIS DRAWING SET OR STEEL WILL NOT FIT.

- NOTE:**
- ALL REACTIONS ARE AT ASD LEVEL AND IN KIIPS.
 - Vup, Hx, AND Hy ARE DUE TO LATERAL LOAD, WORST CASE BETWEEN SEISMIC AND WIND.
 - ALL HORIZONTAL REACTIONS CAN ACT POSITIVE OR NEGATIVE DIRECTION.
 - ALL COLUMN BASE PLATES ARE DESIGNED FOR FOUR 3/4" DIA. ANCHOR BOLTS. FOR THIS COMPLIES WITH THE OSHA REGULATIONS OF MARCH 2003 FOR STEEL ERECTION.

© Erect-A-Tube, Inc., 2022. All rights reserved. This work may not be reproduced, distributed, publicly performed or displayed, or used as the basis for derivative works without the express prior written consent of Erect-A-Tube, Inc.



SEAL EXP. DATE:

No.	Revision/Issue	By	Date
1	DOOR AND FLIPPED ORIENTATION	DJS	12/20/22

ERECT-A-TUBE
 701 WEST PARK STREET
 HARVARD IL 60033-0100
 OFFICE 815-943-4091
 FAX 815-943-7756

Project Name and Address
 GARY BENDAVID BUILDERS, INC.
 63A NAUSHON AVE
 OAK BLUFFS, MA 02557

Project Name and Address
 8 UNIT N60-48 w/ 65 JET POD

ANCHOR BOLT LAYOUT

Rev	Date	By	Date
1	12-12-22	DJS	

Scale: NONE